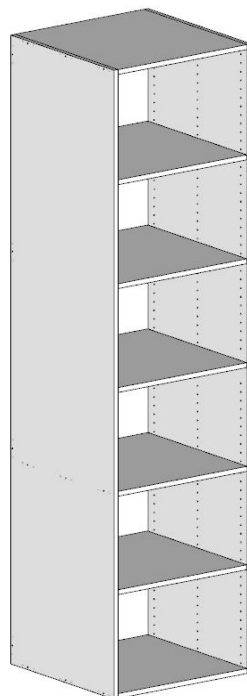


ASSEMBLY INSTRUCTION

AMERICA'S CABINETS



This assembly manual is suitable for the following cabinets (ITEM CODE):

- WM-PC1890-BOX
- WM-PC2490-BOX
- WM-PC3090-BOX
- WM-PC1896-BOX
- WM-PC2496-BOX
- WM-PC3096-BOX

REF: TALL CABINET BOX - 24" DEEP 4 OR 5 SHELVES MELAMINE BOXES

** IMPORTANT: Before proceeding to assemble this unit, read the assembly instruction and inspect carefully the parts and hardware thoroughly**

IMPORTANT RECOMMENDATIONS

- Do not hit or hammer the cabinet (just do it Where indicated).



- Do not expose it to heat.



- Protect furniture from water and moisture. This furniture must not be used outdoors.



- Two or more people are required to assemble and/or move this unit.



- Do not Paint the cabinet



- Unpack and assemble this unit in an spacious área. Assemble the unit on top or the empty box to prevent scratches.



TOOLS REQUIRED



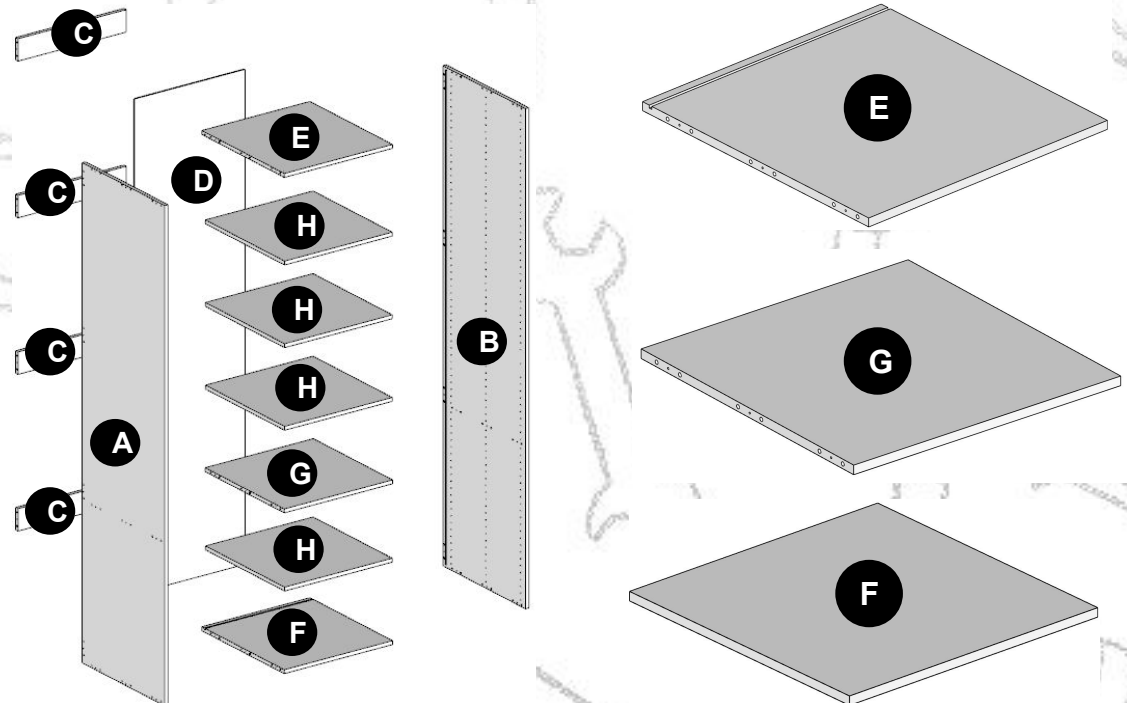
RUBBER HAMMER



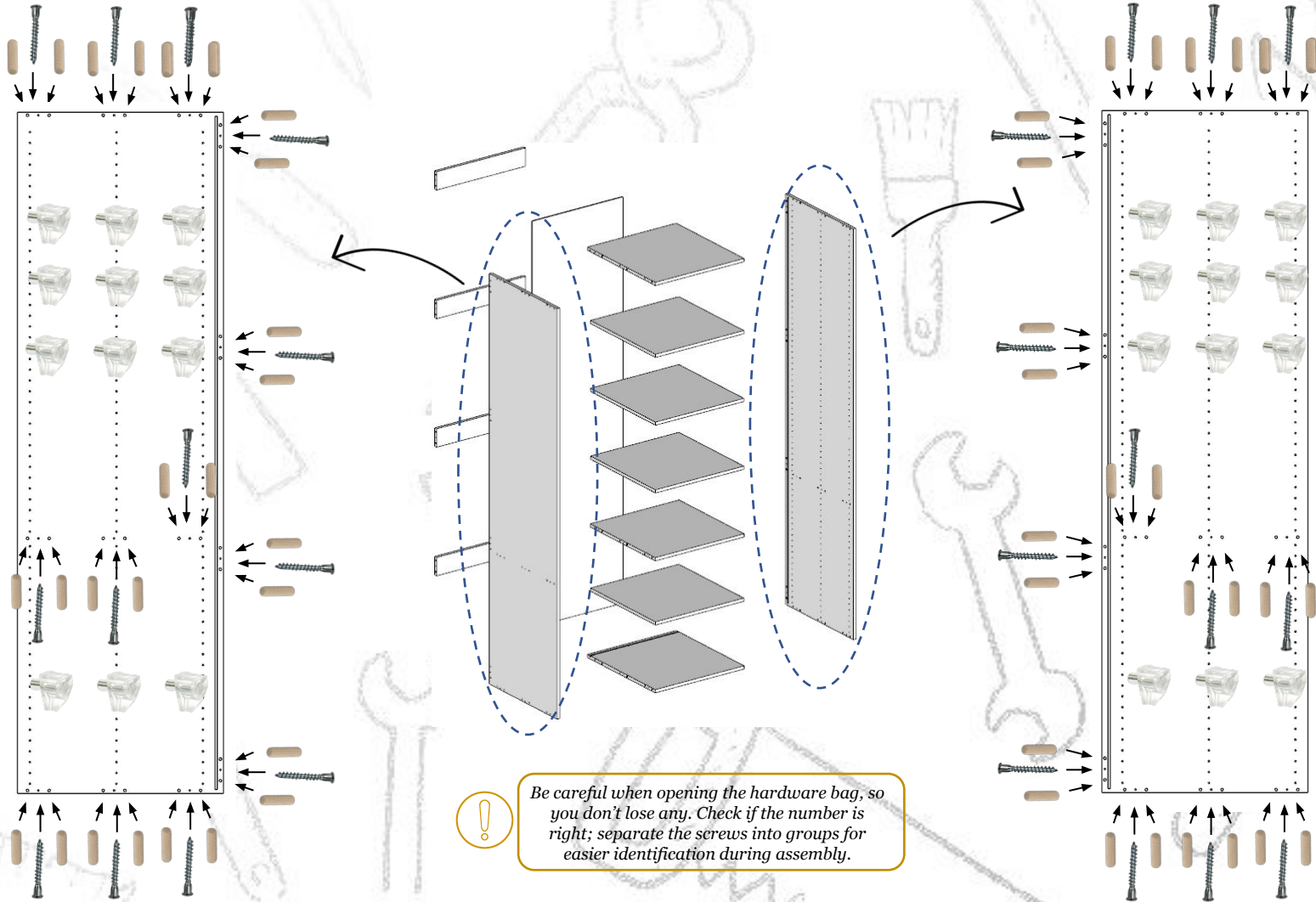
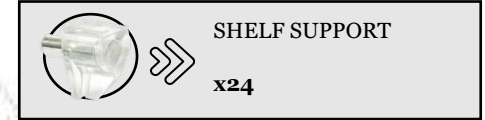
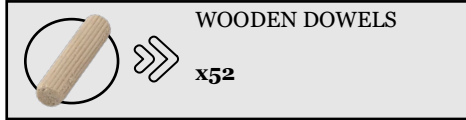
PHILLIPS SCREWDRIVER OR DRILL
RUBBER HAMMER

ASSEMBLE PARTS

ITEM	DESCRIPTION	QTY
A	RIGHT SIDE	1
B	LEFT SIDE	1
C	STRETCHERS/NAILE R	4
D	BACK	1
E	TOP	1
F	BOTTOM	1
G	FIXED SHELF	1
H	ADJUSTABLE SHELF	4

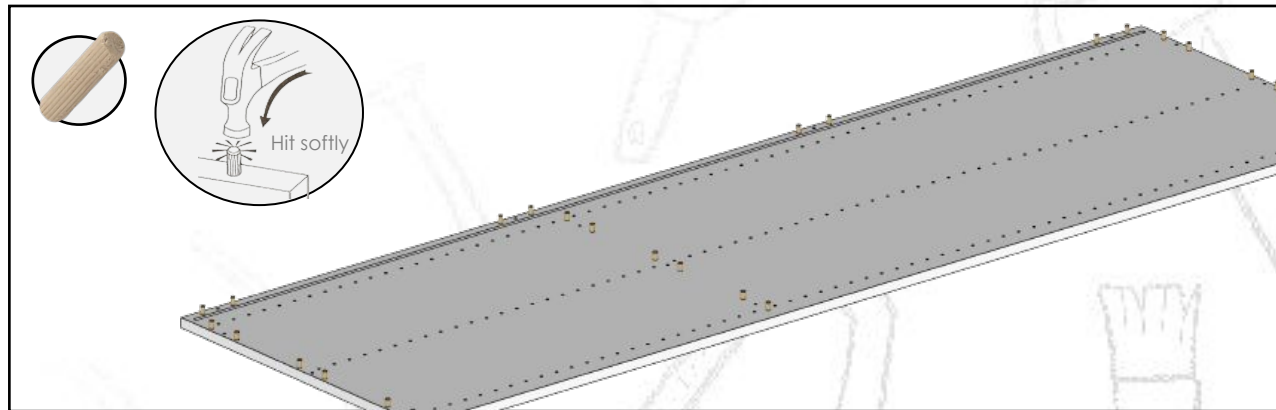


HARDWARE IDENTIFICATION



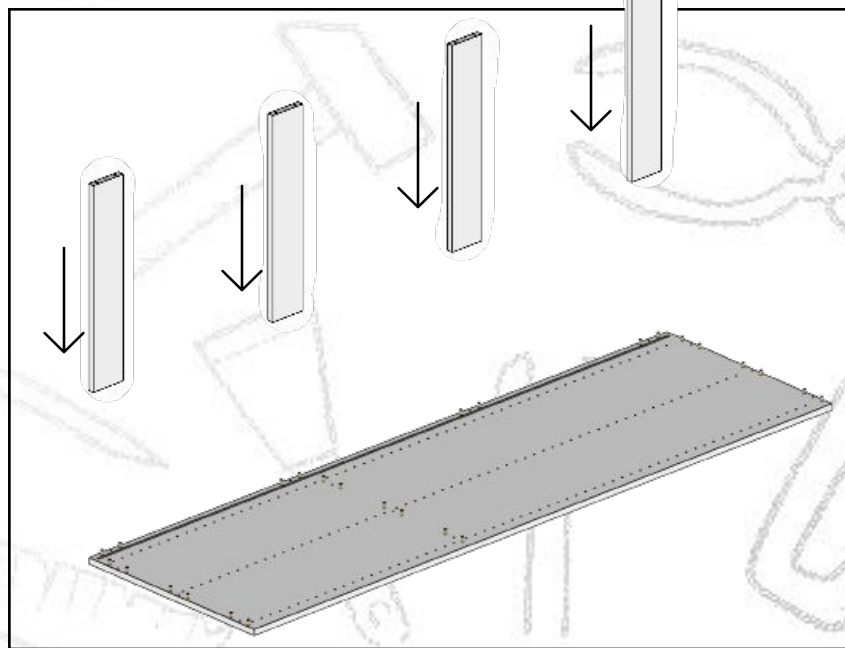
Be careful when opening the hardware bag, so you don't lose any. Check if the number is right; separate the screws into groups for easier identification during assembly.

FURNITURE ASSEMBLY

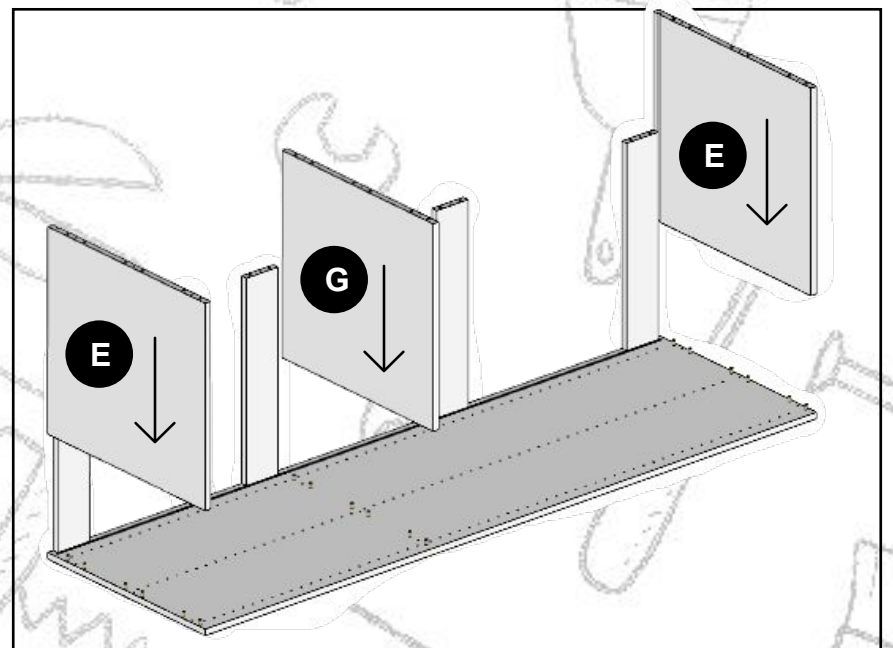


1 STEP

2 STEP



3 STEP

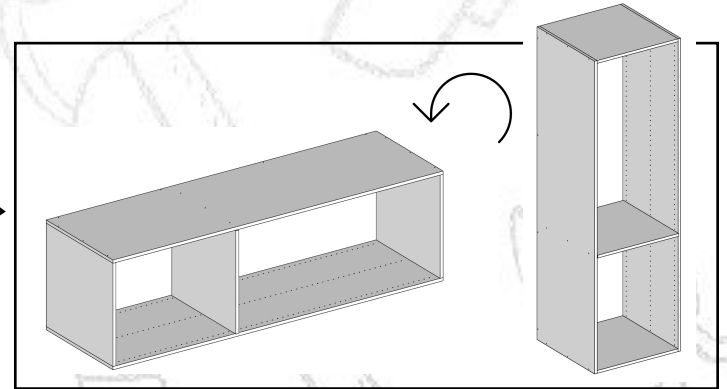
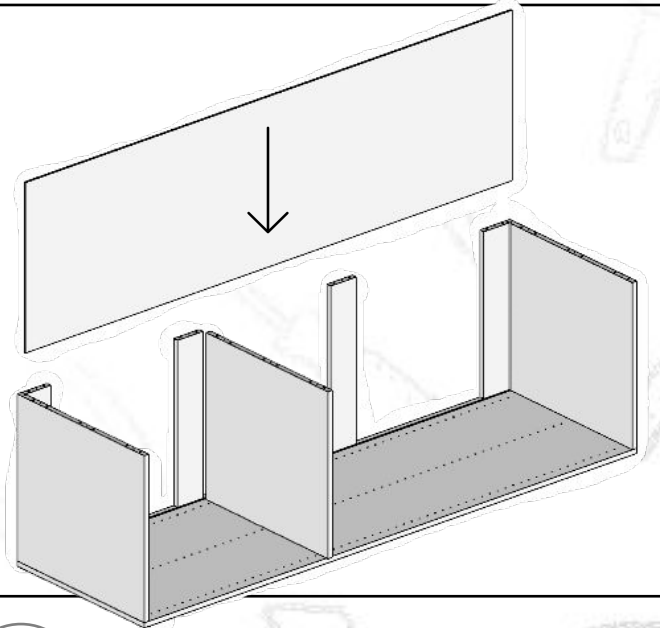


FURNITURE ASSEMBLY

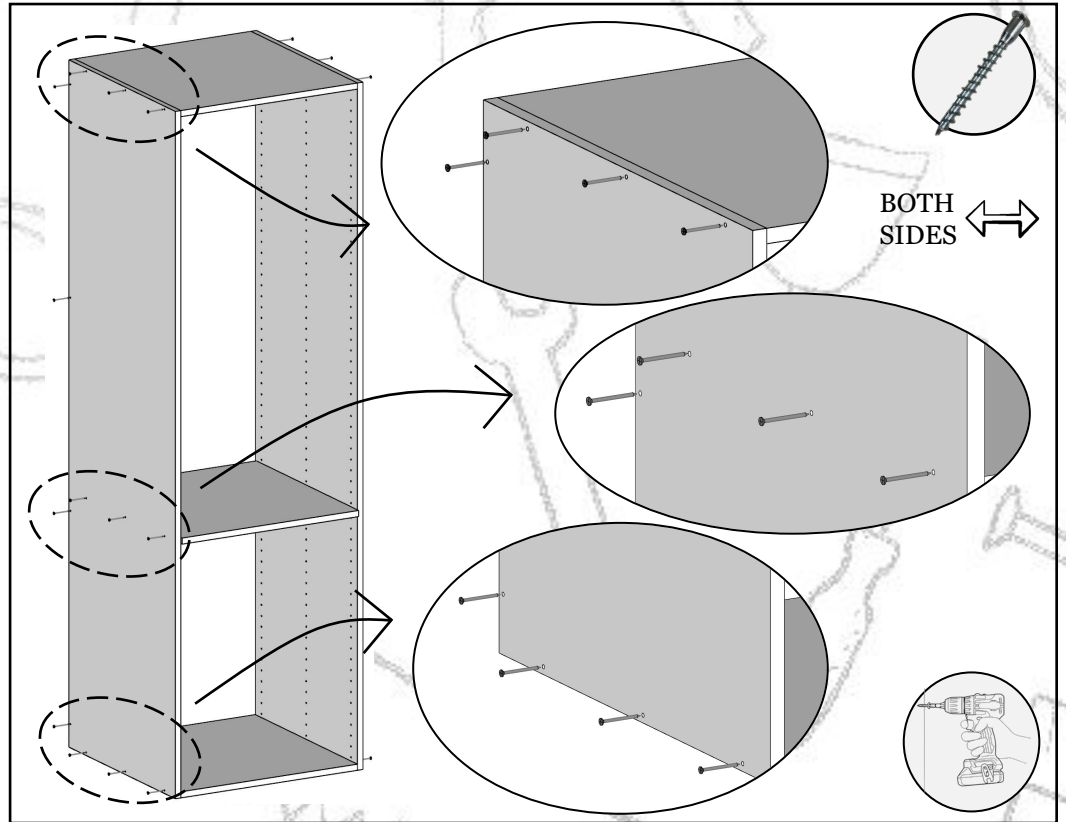
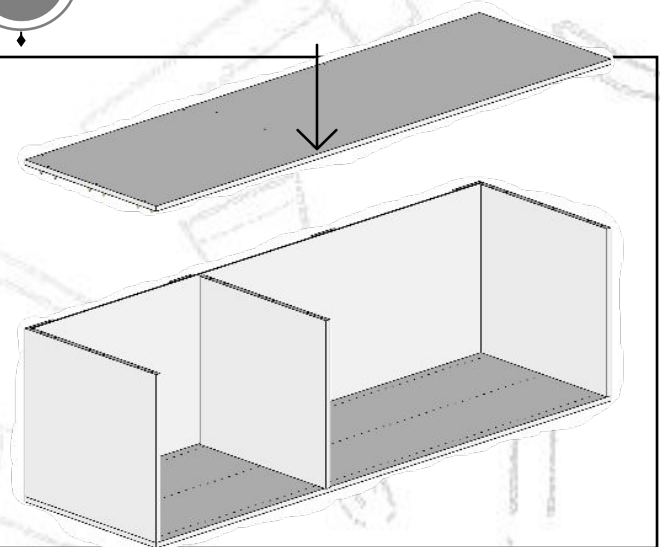
4 STEP

STEP 6

7 STEP



5 STEP





8

STEP

BOTH
SIDES 

