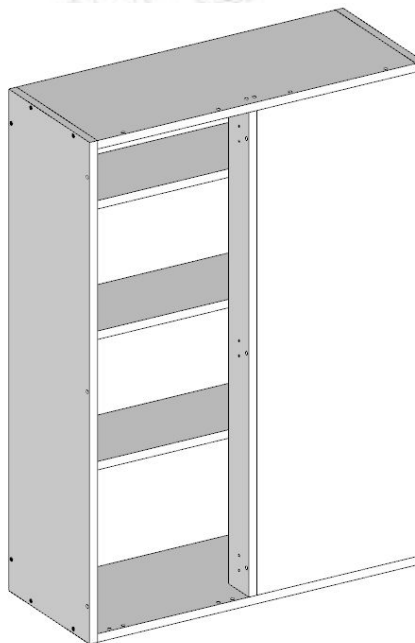


ASSEMBLY INSTRUCTION

AMERICA'S CABINETS



This assembly manual is suitable for the following cabinets (ITEM CODE):



- WM-WBC3042-BOX

REF: WALL CABINET BOX - BLIND CORNER 12" DEEP - 3 SHELVES

** IMPORTANT: Before proceeding to assemble this unit, read the assembly instruction and inspect carefully the parts and hardware thoroughly**

IMPORTANT RECOMMENDATIONS

- Do not hit or hammer the cabinet (just do it Where indicated).



- Do not expose it to heat.



- Protect furniture from water and moisture. This furniture must not be used outdoors.



- Two or more people are required to assemble and/or move this unit.



- Do not Paint the cabinet



- Unpack and assemble this unit in an spacious area. Assemble the unit on top of the empty box to prevent scratches.



TOOLS REQUIRED



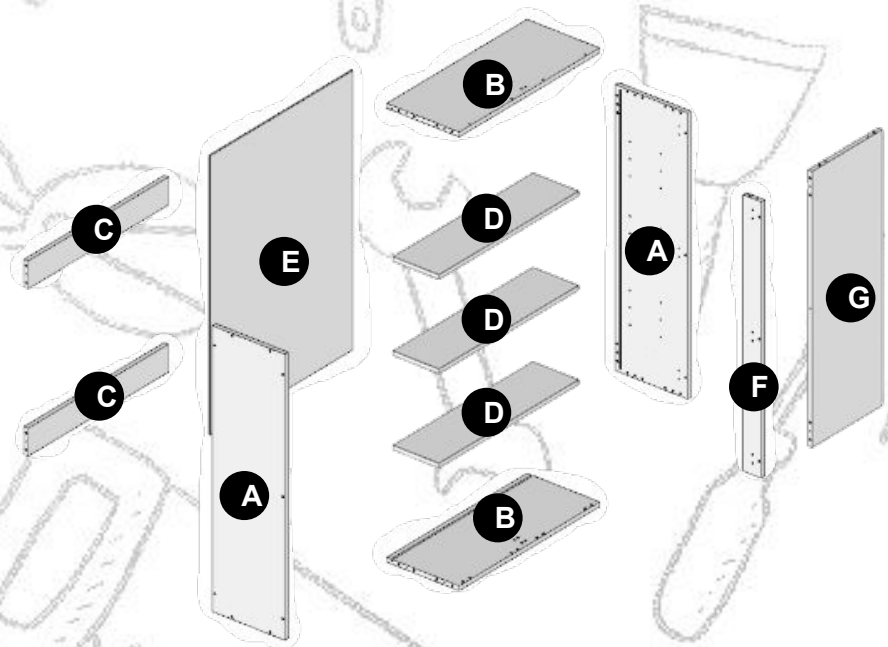
RUBBER HAMMER




PHILLIPS SCREWDRIVER OR DRILL
RUBBER HAMMER


ASSEMBLE PARTS

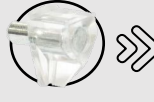
ITEM	DESRPTION	QTY
A	SIDES	2
B	TOP AND BOTTOM	2
C	STRETCHERS/NAILE R	2
D	ADJUSTABLE SHELF	3
E	BACK	1
F	FILLER	1
G	FIXED PANEL	1

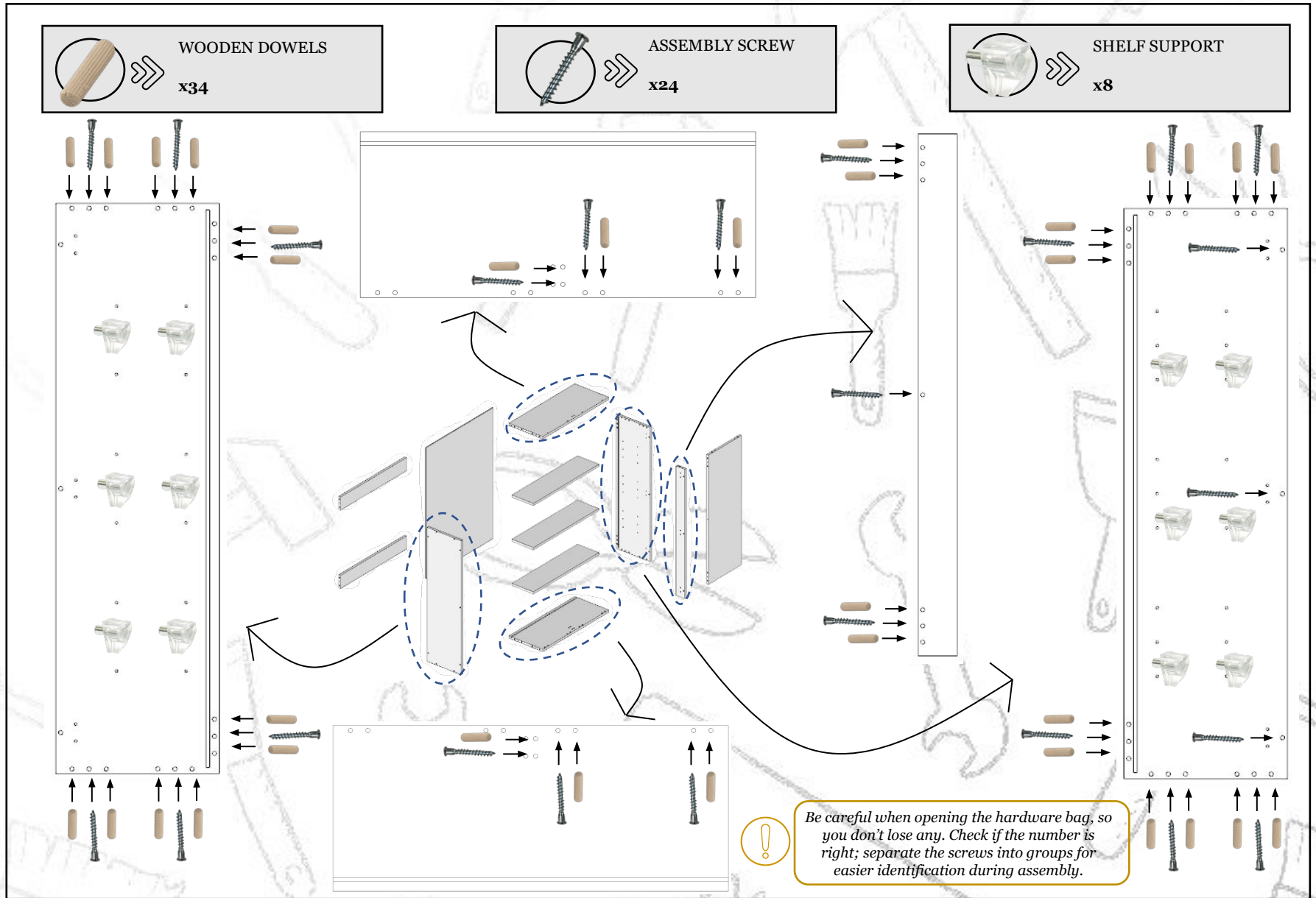


HARDWARE IDENTIFICATION

 WOODEN DOWELS
x34

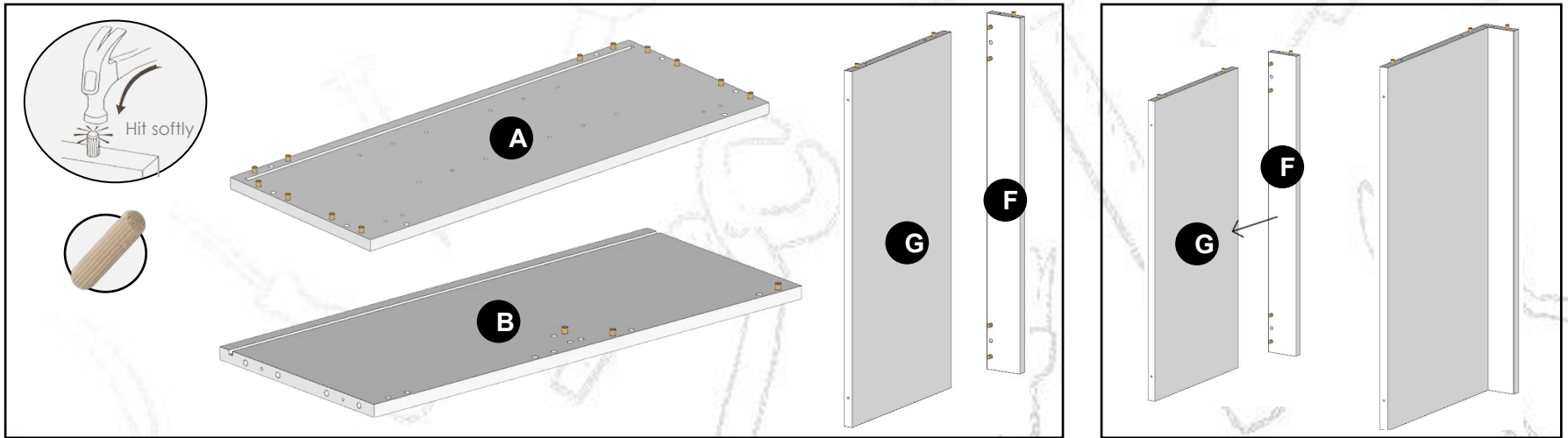
 ASSEMBLY SCREW
x24

 SHELF SUPPORT
x8

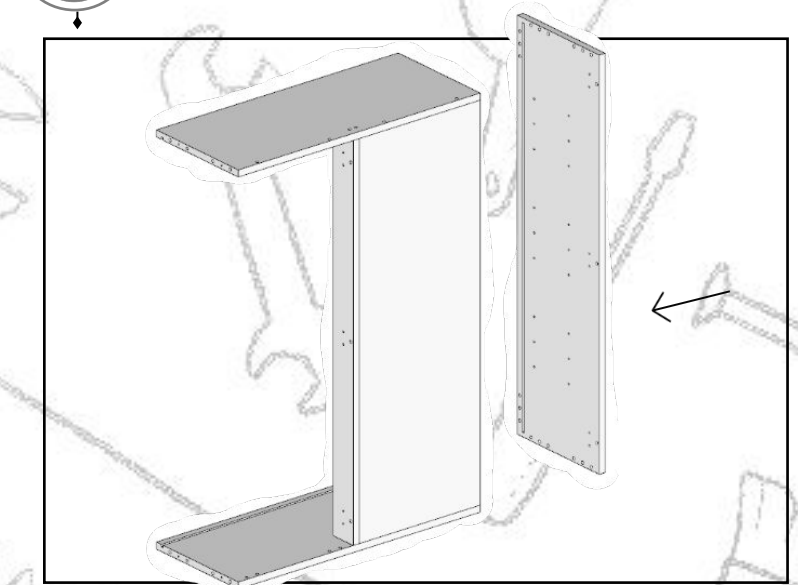
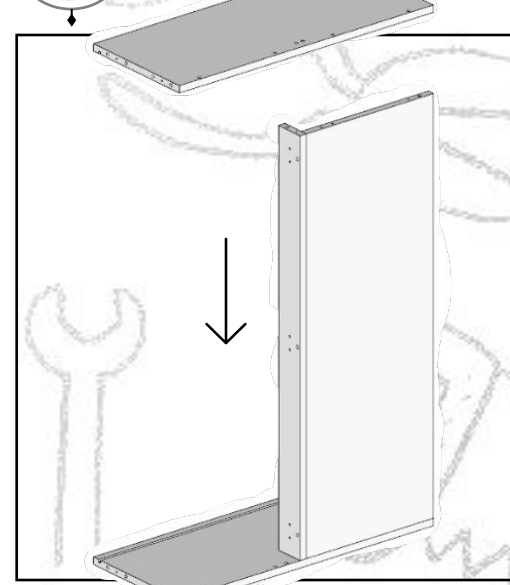
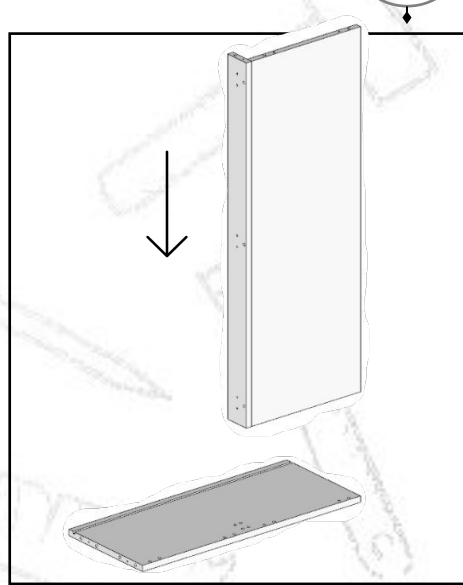


Be careful when opening the hardware bag, so you don't lose any. Check if the number is right; separate the screws into groups for easier identification during assembly.

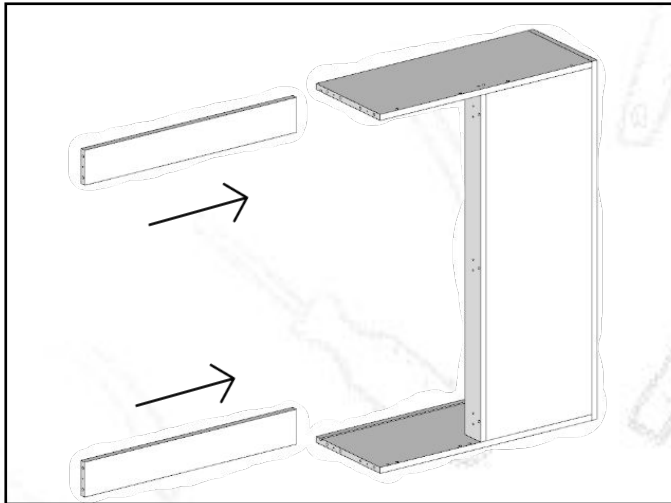
FURNITURE ASSEMBLY



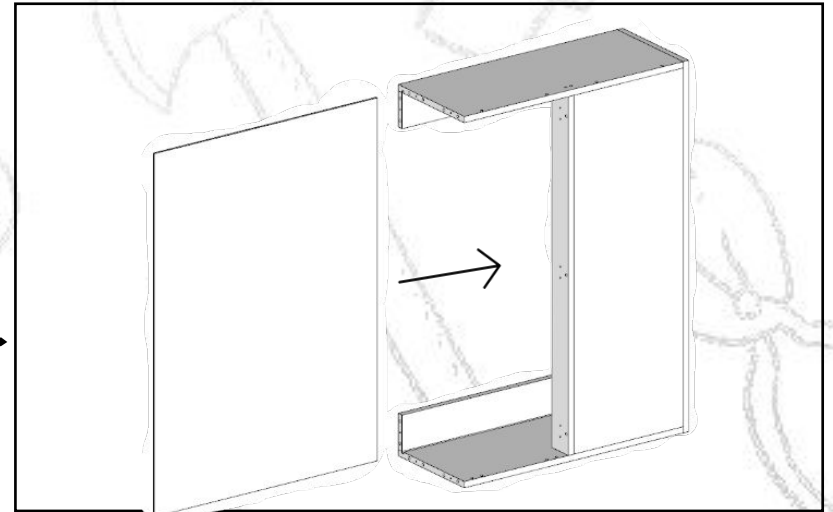
1 STEP STEP **3** **4** STEP **5** STEP STEP **2**



FURNITURE ASSEMBLY

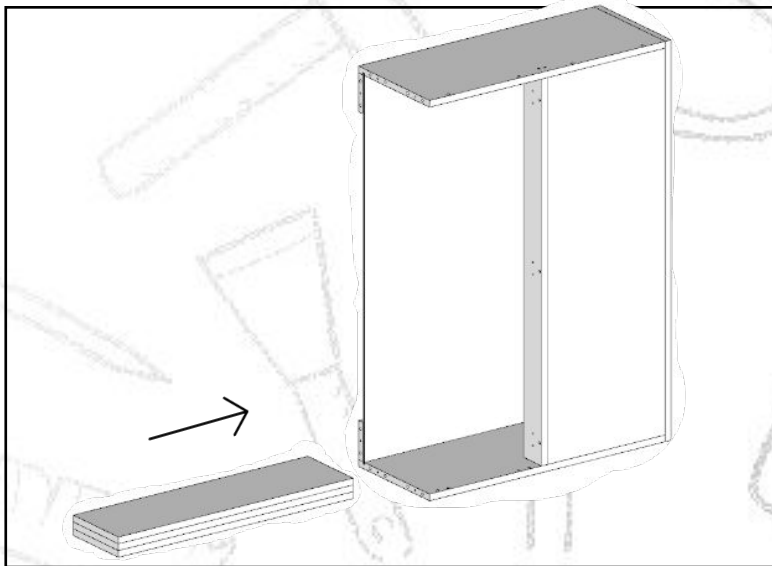


6 STEP

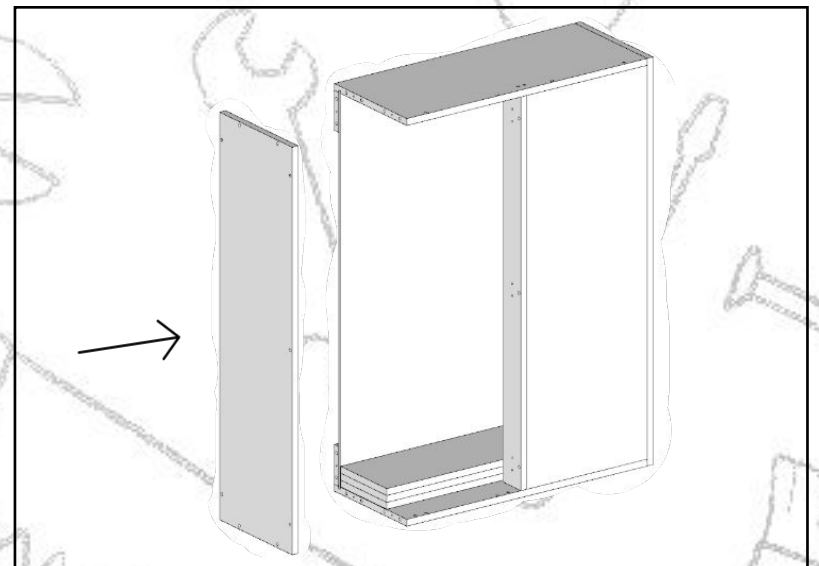


STEP 7

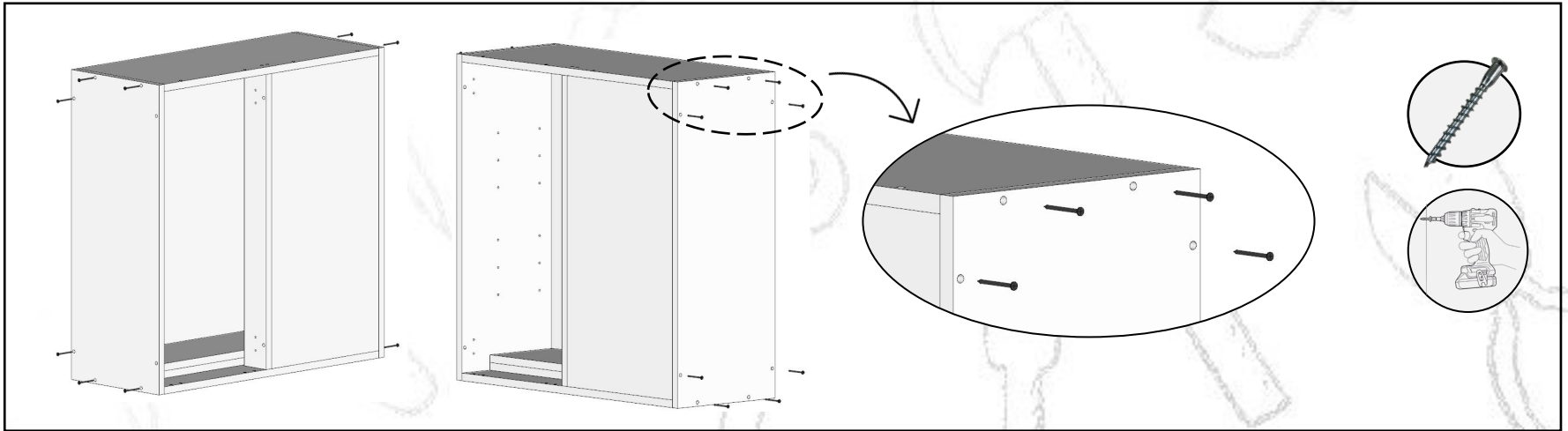
8 STEP



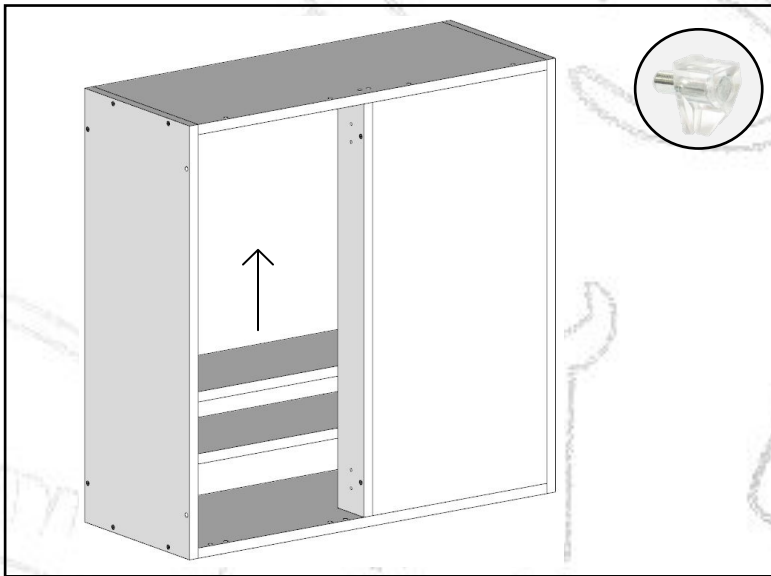
STEP 9



FURNITURE ASSEMBLY



11 STEP



STEP **10**

