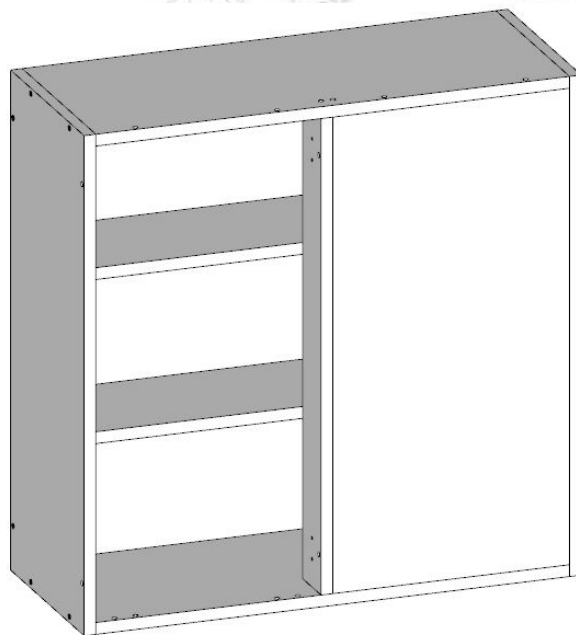


# ASSEMBLY INSTRUCTION

AMERICA'S CABINETS



This assembly manual is suitable for the following cabinets (ITEM CODE):

- ▶ WM-WBC3030-BOX
- ▶ WM-WBC3036-BOX

**REF: WALL CABINET BOX - BLIND CORNER 12" DEEP - 2 SHELF**

*\* IMPORTANT: Before proceeding to assemble this unit, read the assembly instruction and inspect carefully the parts and hardware thoroughly\**

## IMPORTANT RECOMMENDATIONS

- Do not hit or hammer the cabinet (just do it Where indicated).



- Do not expose it to heat.



- Protect furniture from water and moisture. This furniture must not be used outdoors.



- Two or more people are required to assemble and/or move this unit.



- Do not Paint the cabinet



- Unpack and assemble this unit in an spacious área. Assemble the unit on top or the empty box to prevent scratches.



## TOOLS REQUIRED



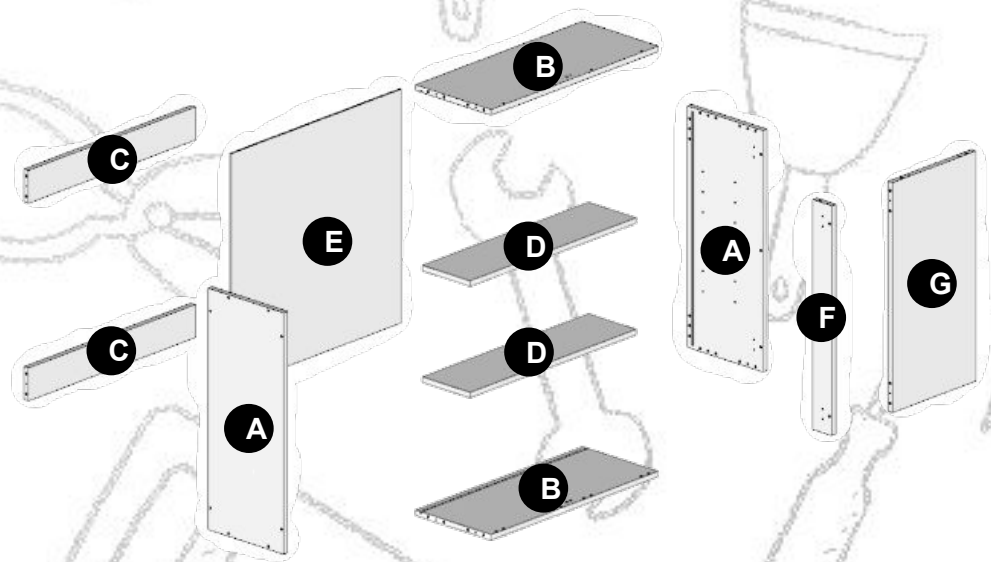
RUBBER HAMMER




PHILLIPS SCREWDRIVER OR DRILL  
RUBBER HAMMER

## ASSEMBLE PARTS


ITEM	DESRPTION	QTY
A	SIDES	2
B	TOP AND BOTTOM	2
C	STRETCHERS/NAILE R	2
D	ADJUSTABLE SHELF	2
E	BACK	1
F	FILLER	1
G	FIXED PANEL	1

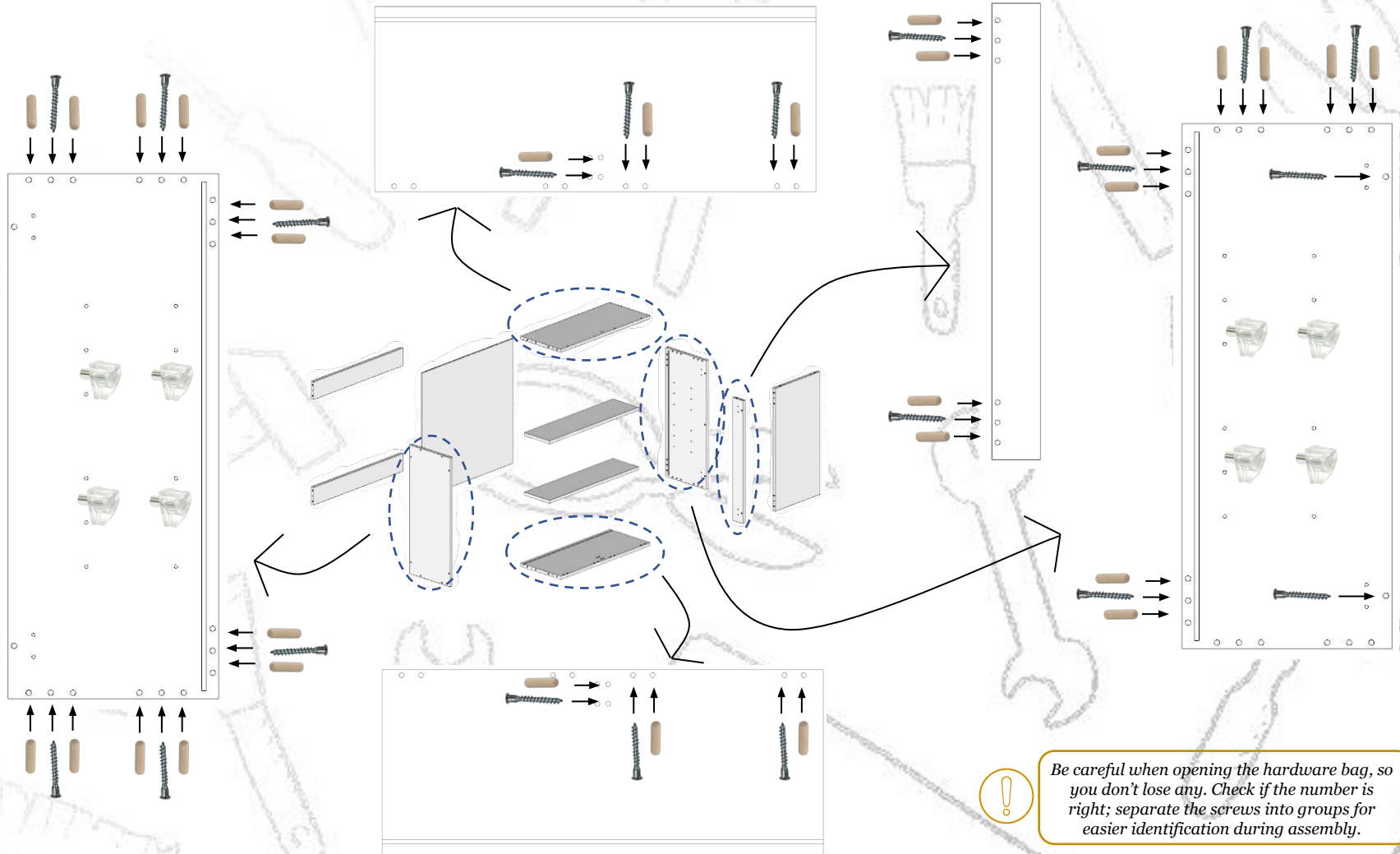


# HARDWARE IDENTIFICATION

 WOODEN DOWELS  
x34

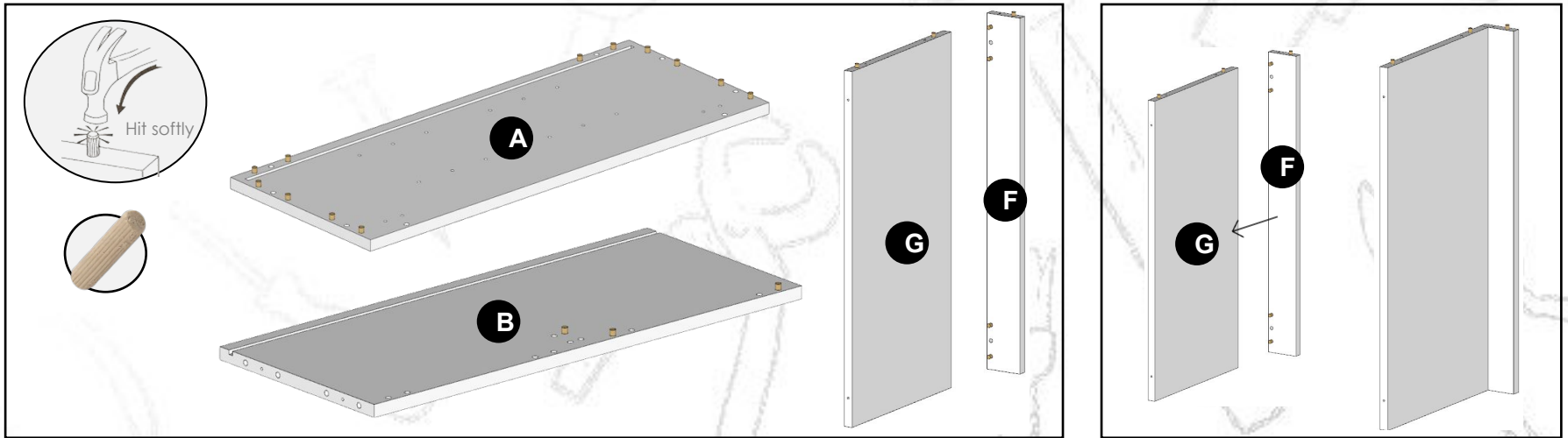
 ASSEMBLY SCREW  
x20

 SHELF SUPPORT  
x8

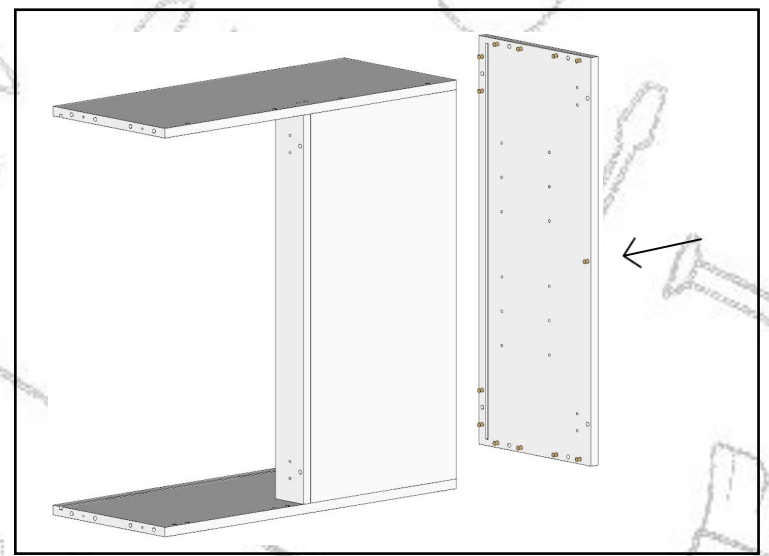
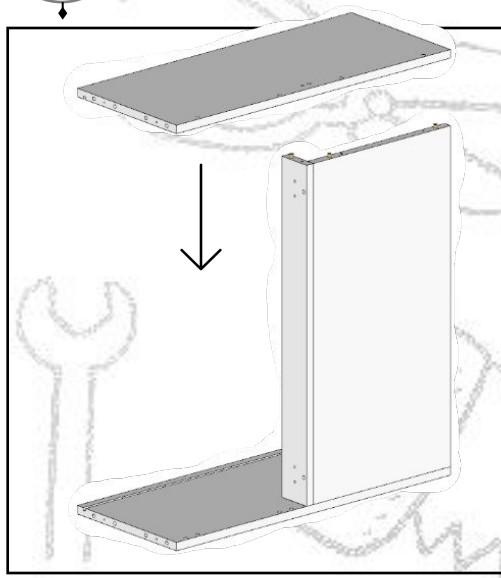
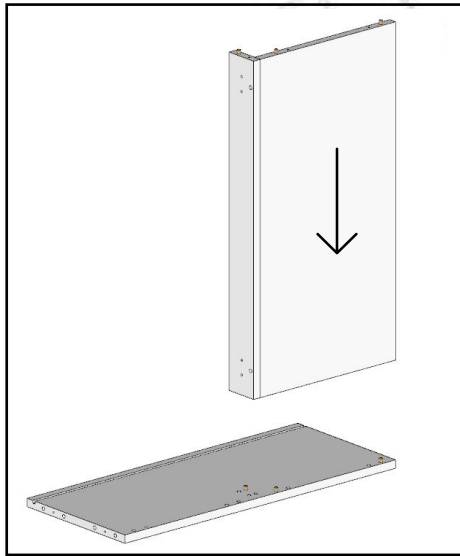


*Be careful when opening the hardware bag, so you don't lose any. Check if the number is right; separate the screws into groups for easier identification during assembly.*

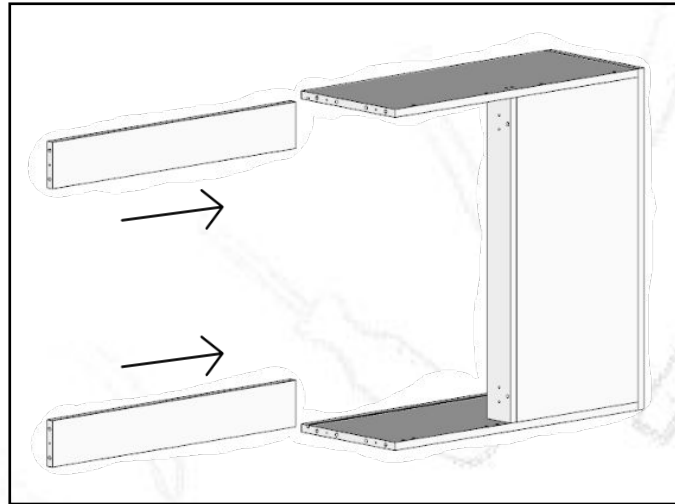
# FURNITURE ASSEMBLY



**1** STEP    STEP **3**    **4** STEP    **5** STEP    STEP **2**

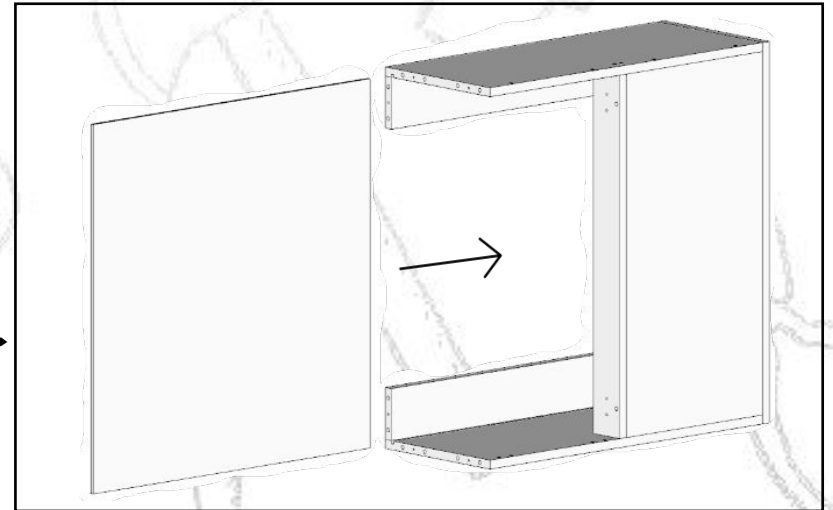


# FURNITURE ASSEMBLY

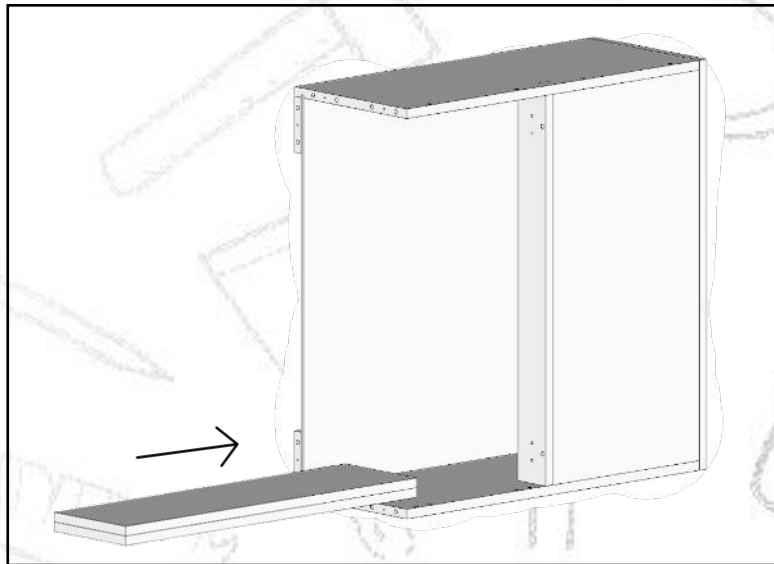


6 STEP

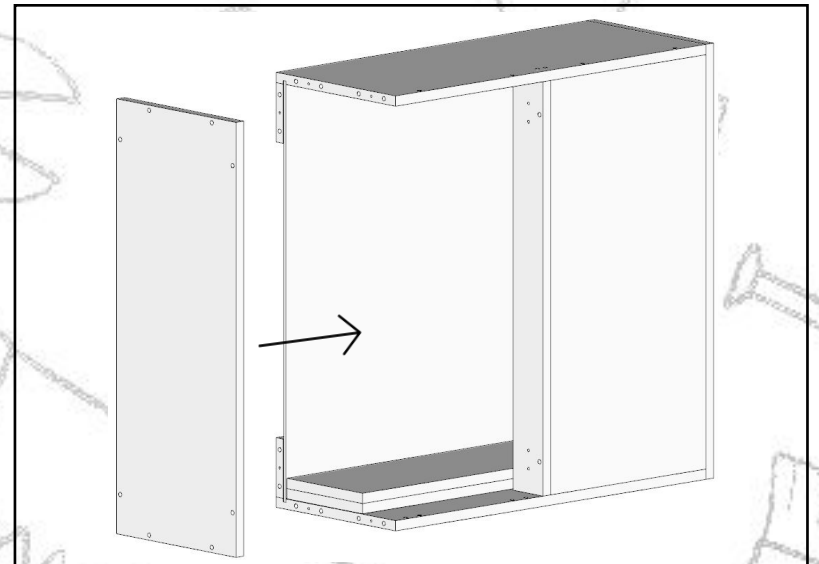
STEP 7



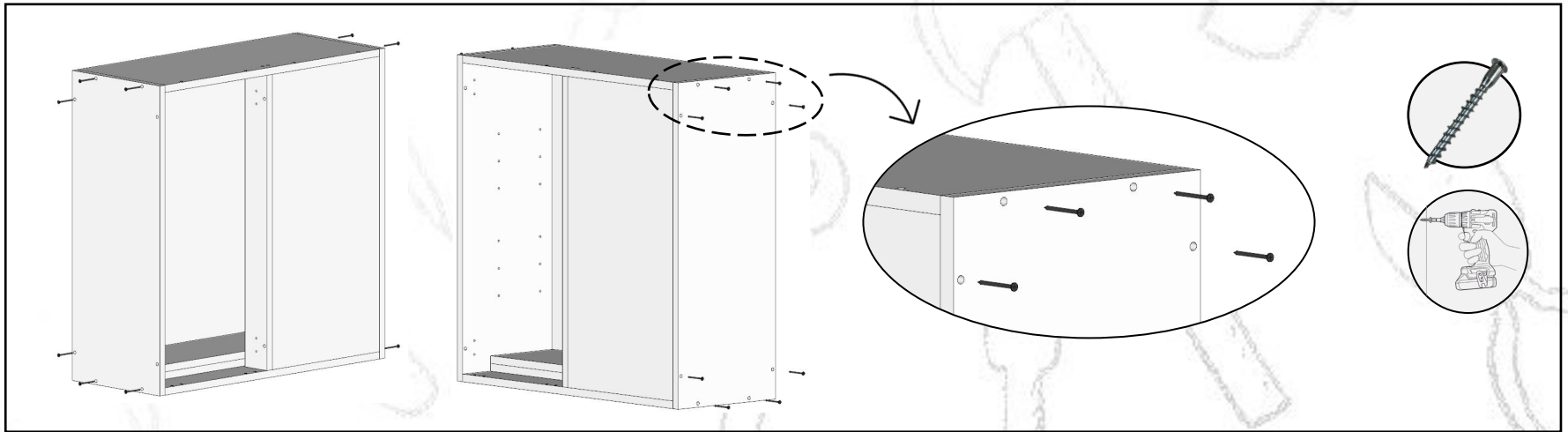
8 STEP



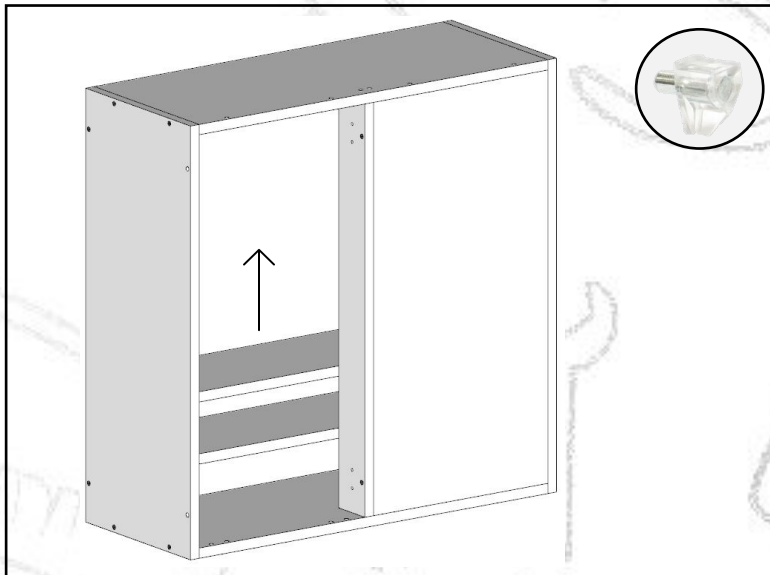
STEP 9



# FURNITURE ASSEMBLY



**11** STEP



STEP **10**

