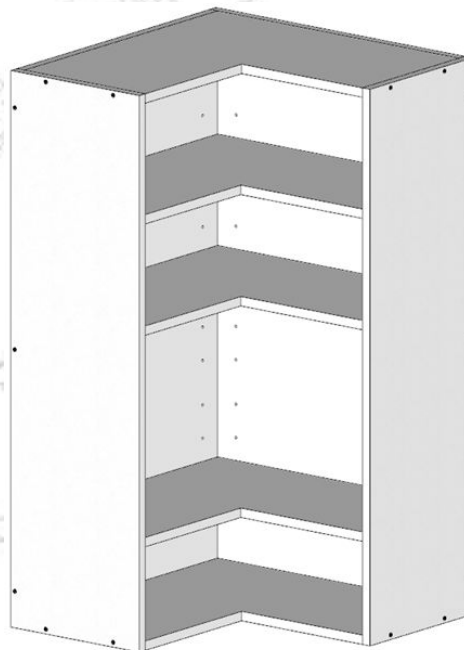


# ASSEMBLY INSTRUCTION

AMERICA'S CABINETS



This assembly manual is suitable for the following cabinets (ITEM CODE):

- ▶ WM-WER2442-BOX

**REF: WHITE MELAMINE CARB II - EASY REACH - 3 SHELF**

*\* IMPORTANT: Before proceeding to assemble this unit, read the assembly instruction and inspect carefully the parts and hardware thoroughly\**

## IMPORTANT RECOMMENDATIONS

- Do not hit or hammer the cabinet (just do it Where indicated).



- Protect furniture from water and moisture. This furniture must not be used outdoors.



- Do not Paint the cabinet



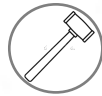
- Do not expose it to heat.



- Two or more people are required to assemble and/or move this unit.



- Unpack and assemble this unit in an spacious area. Assemble the unit on top of the empty box to prevent scratches.



RUBBER HAMMER

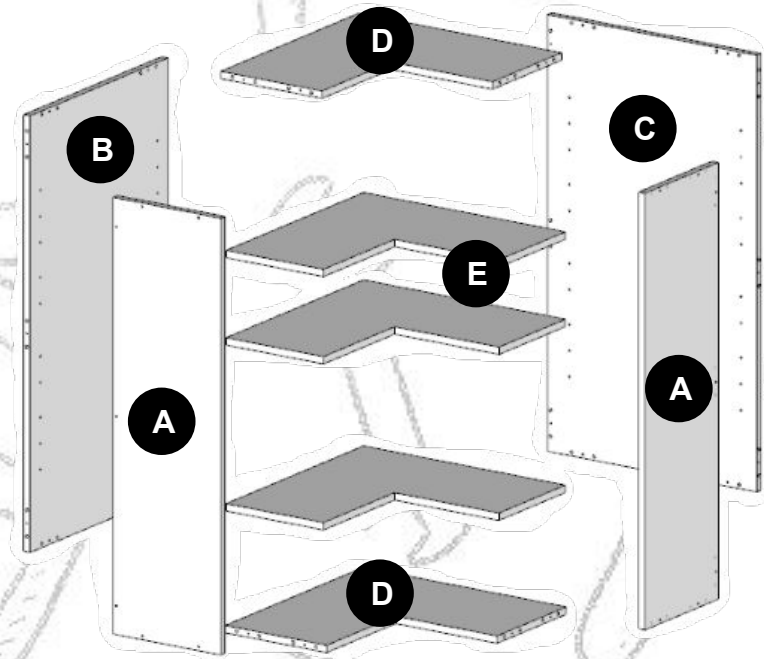


PHILLIPS SCREWDRIVER OR DRILL  
RUBBER HAMMER

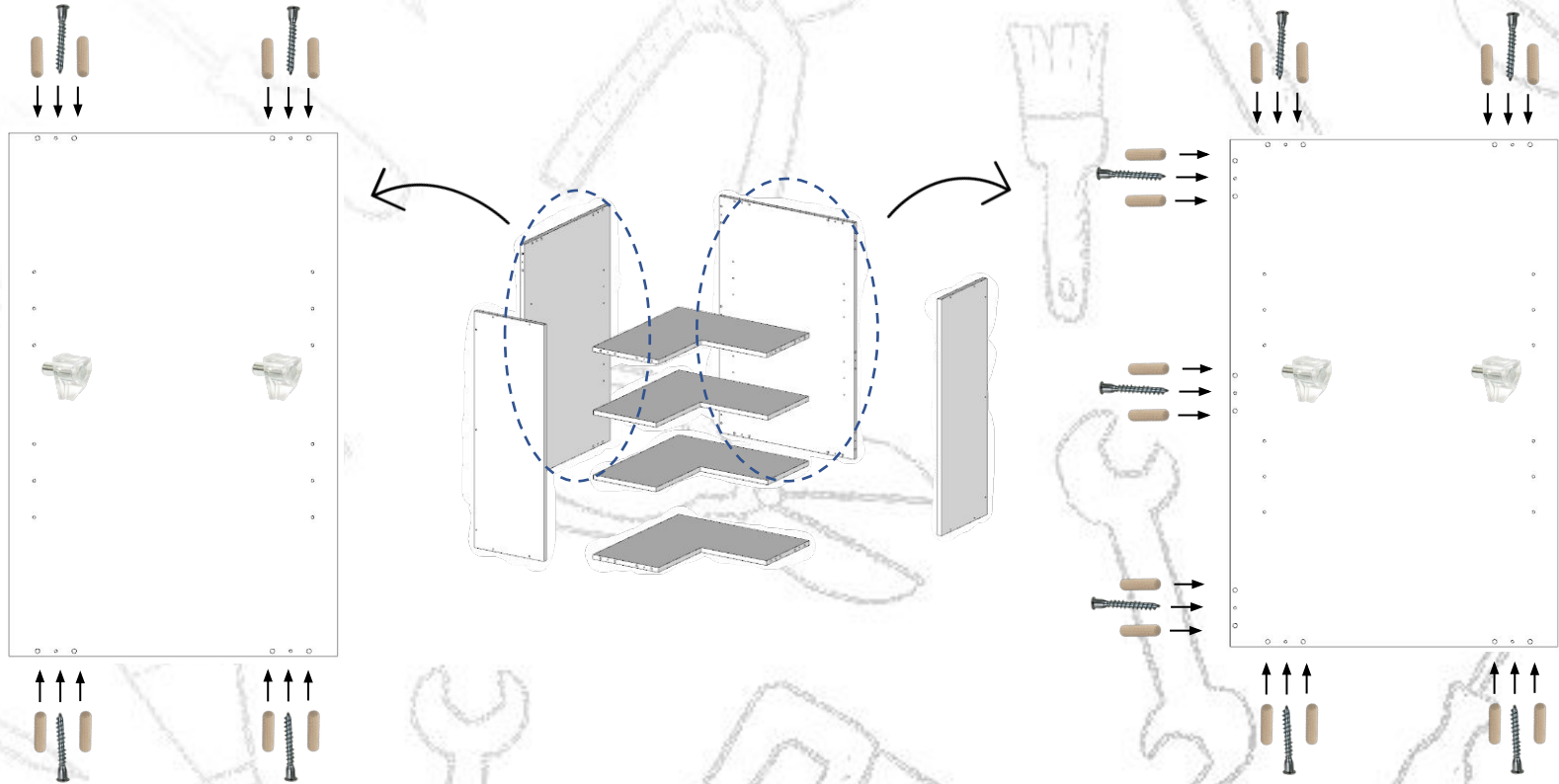
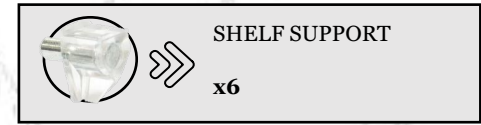
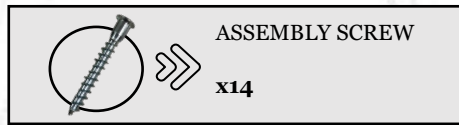
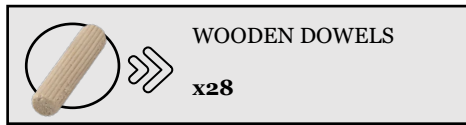
**TOOLS REQUIRED**

## ASSEMBLE PARTS

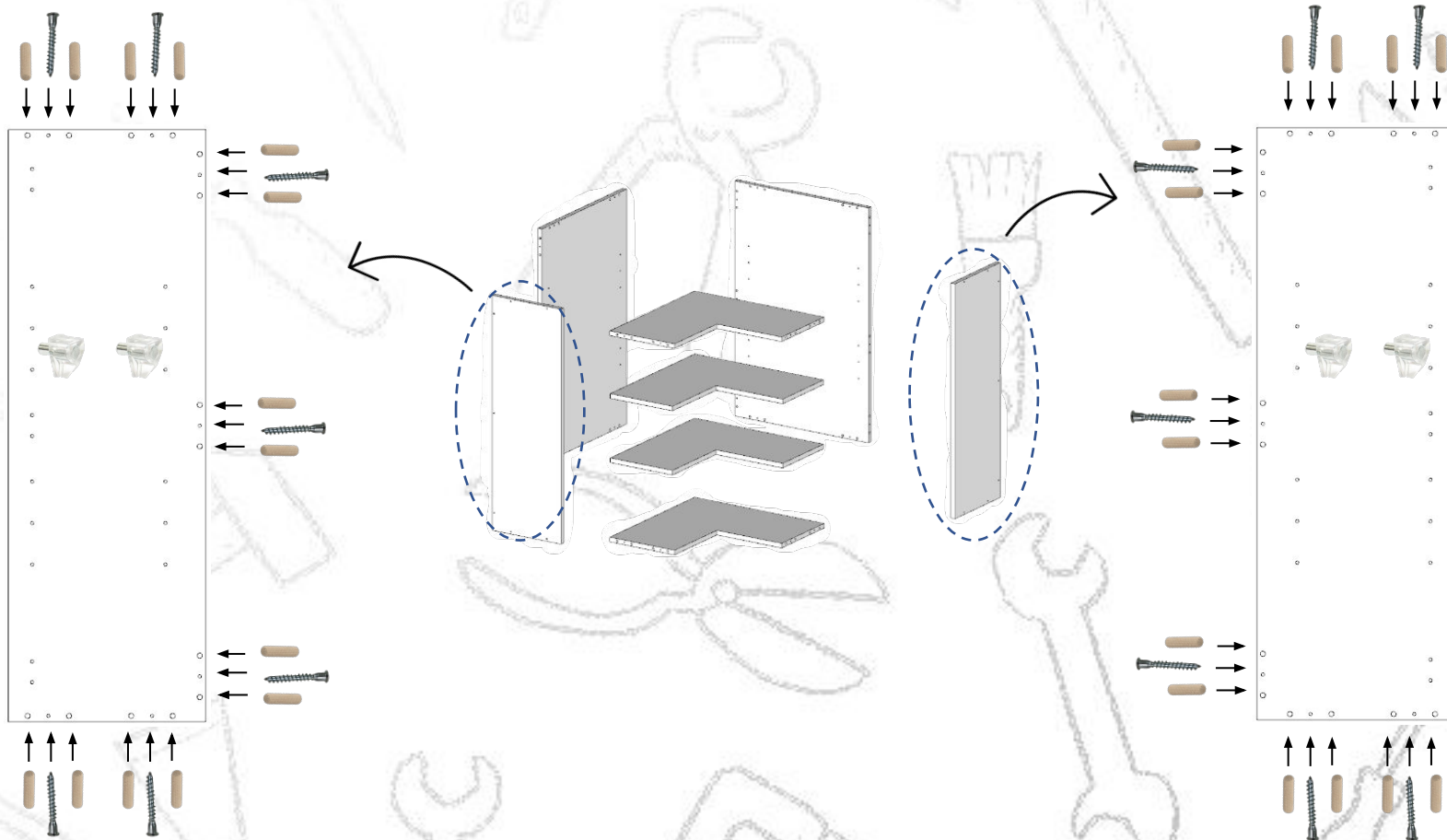
ITEM	DESCRIPTION	QTY
A	SIDES	2
B	LEFT SIDE	1
C	RIGHT SIDE	1
D	TOP AND BOTTOM	2
E	ADJUSTABLE SHELF	2



# HARDWARE IDENTIFICATION

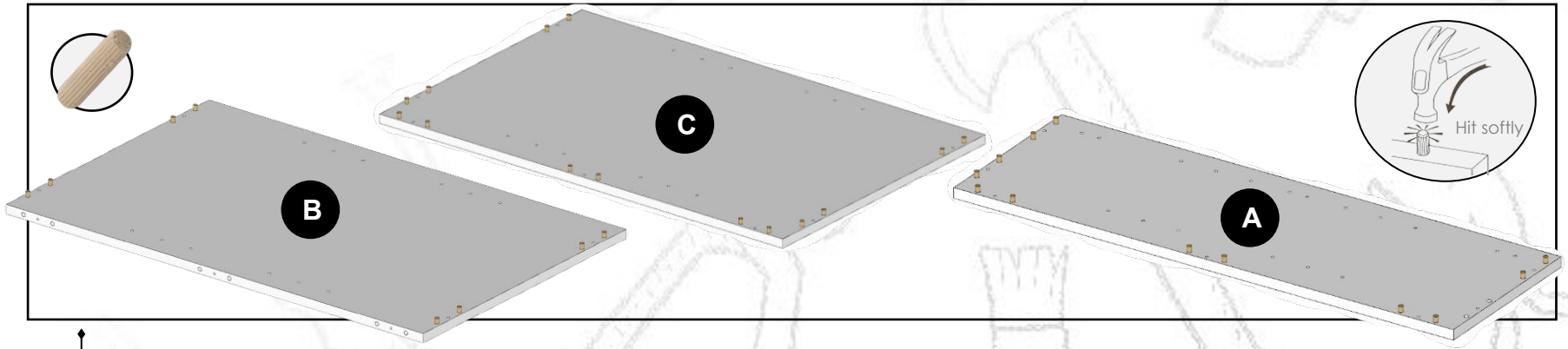


*Be careful when opening the hardware bag, so you don't lose any. Check if the number is right; separate the screws into groups for easier identification during assembly.*



*Be careful when opening the hardware bag, so you don't lose any. Check if the number is right; separate the screws into groups for easier identification during assembly.*

# FURNITURE ASSEMBLY

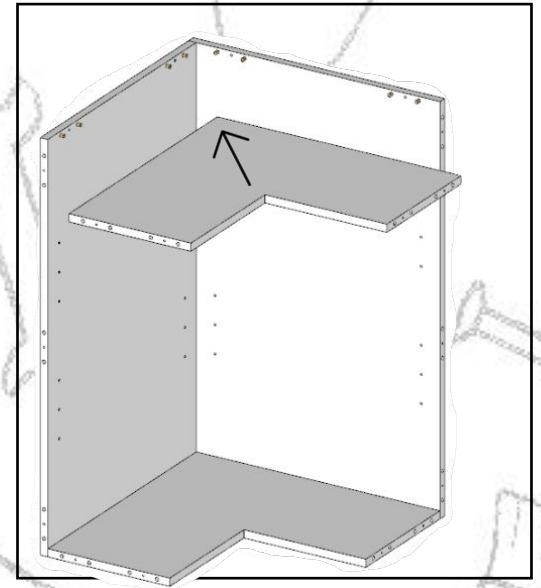
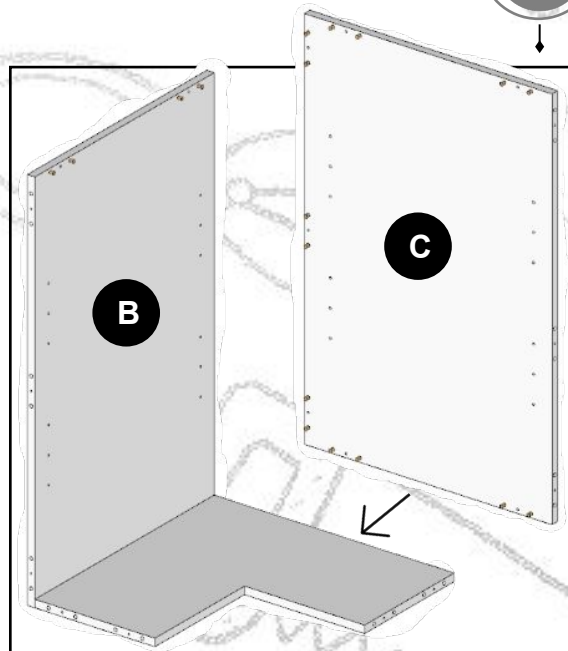
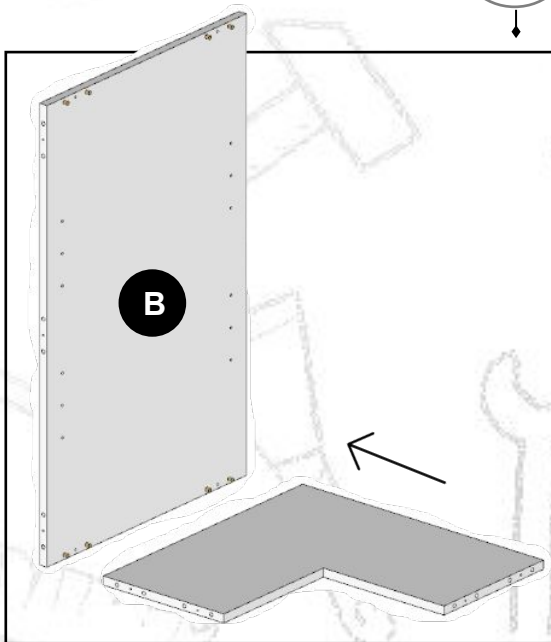


**1** STEP

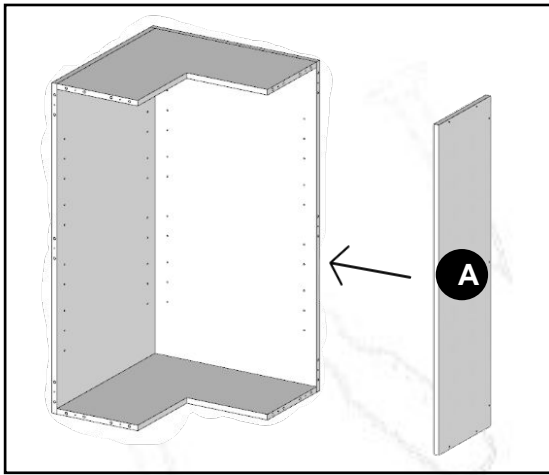
STEP **2**

STEP **3**

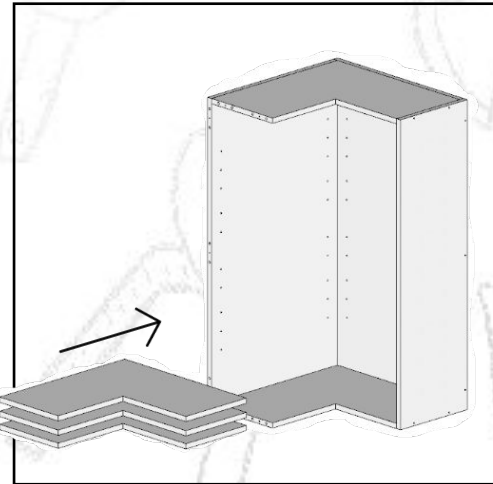
STEP **4**



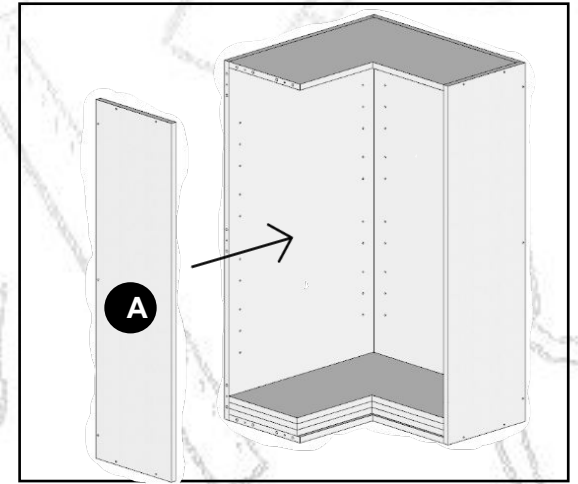
# FURNITURE ASSEMBLY



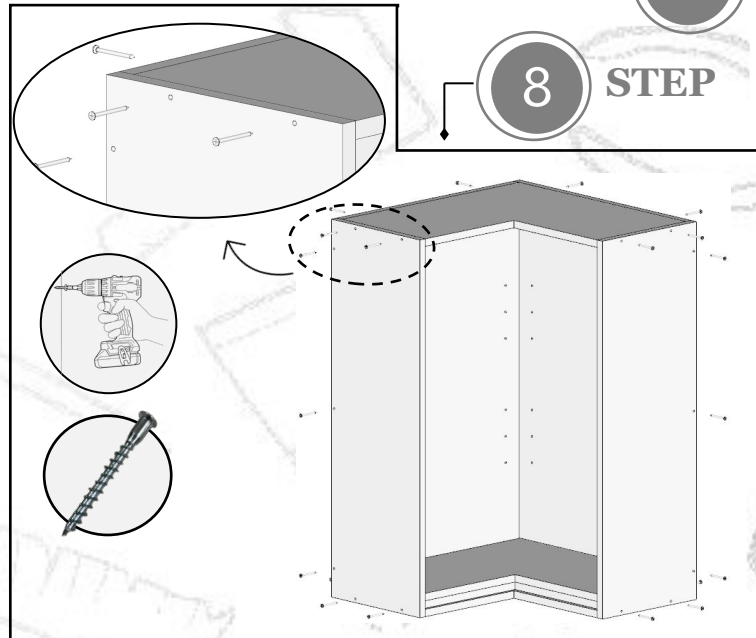
**5** STEP



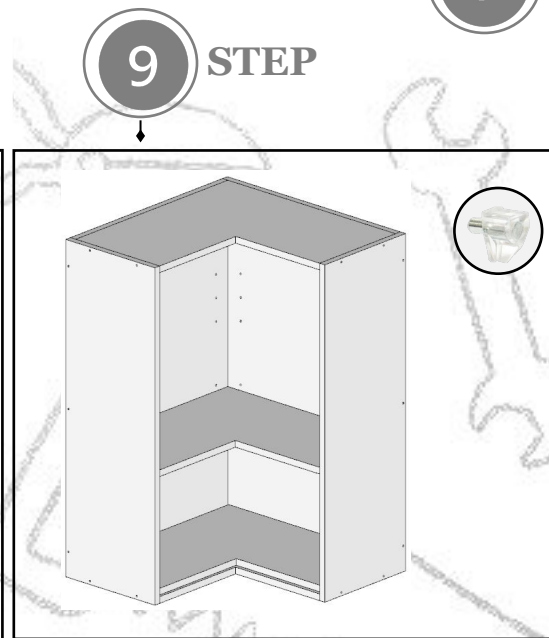
**6** STEP



**7** STEP



**8** STEP



**9** STEP

