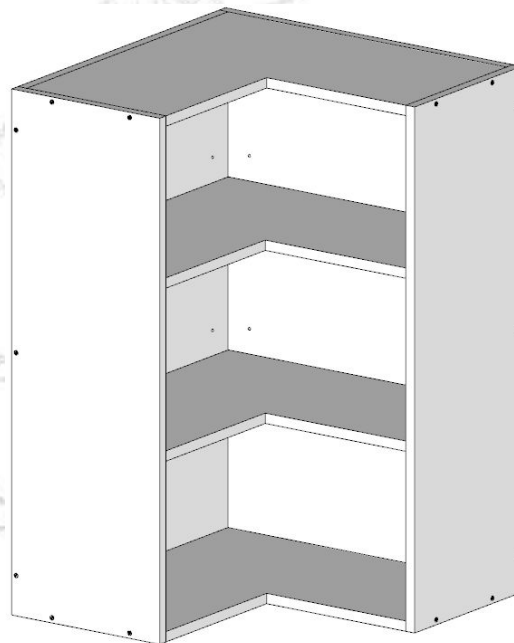


ASSEMBLY INSTRUCTION

AMERICA'S CABINETS



This assembly manual is suitable for the following cabinets (ITEM CODE):

- WM-WER2430-BOX
- WM-WER2436-BOX

REF: WHITE MELAMINE CARB II - EASY REACH - 2 SHELF

** IMPORTANT: Before proceeding to assemble this unit, read the assembly instruction and inspect carefully the parts and hardware thoroughly**

IMPORTANT RECOMMENDATIONS

- Do not hit or hammer the cabinet (just do it Where indicated).



- Protect furniture from water and moisture. This furniture must not be used outdoors.



- Do not Paint the cabinet



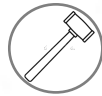
- Do not expose it to heat.



- Two or more people are required to assemble and/or move this unit.



- Unpack and assemble this unit in an spacious area. Assemble the unit on top or the empty box to prevent scratches.



RUBBER HAMMER

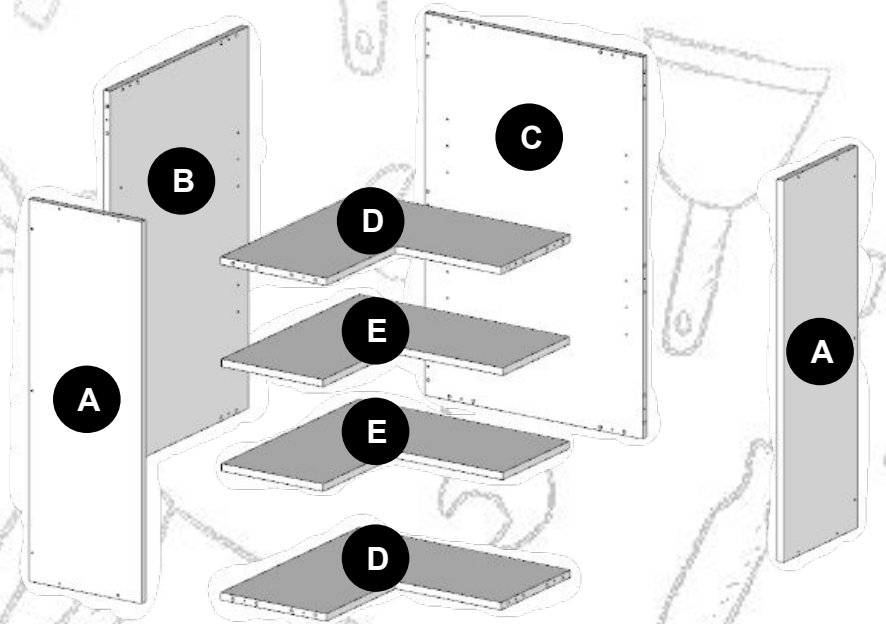


PHILLIPS SCREWDRIVER OR DRILL
RUBBER HAMMER

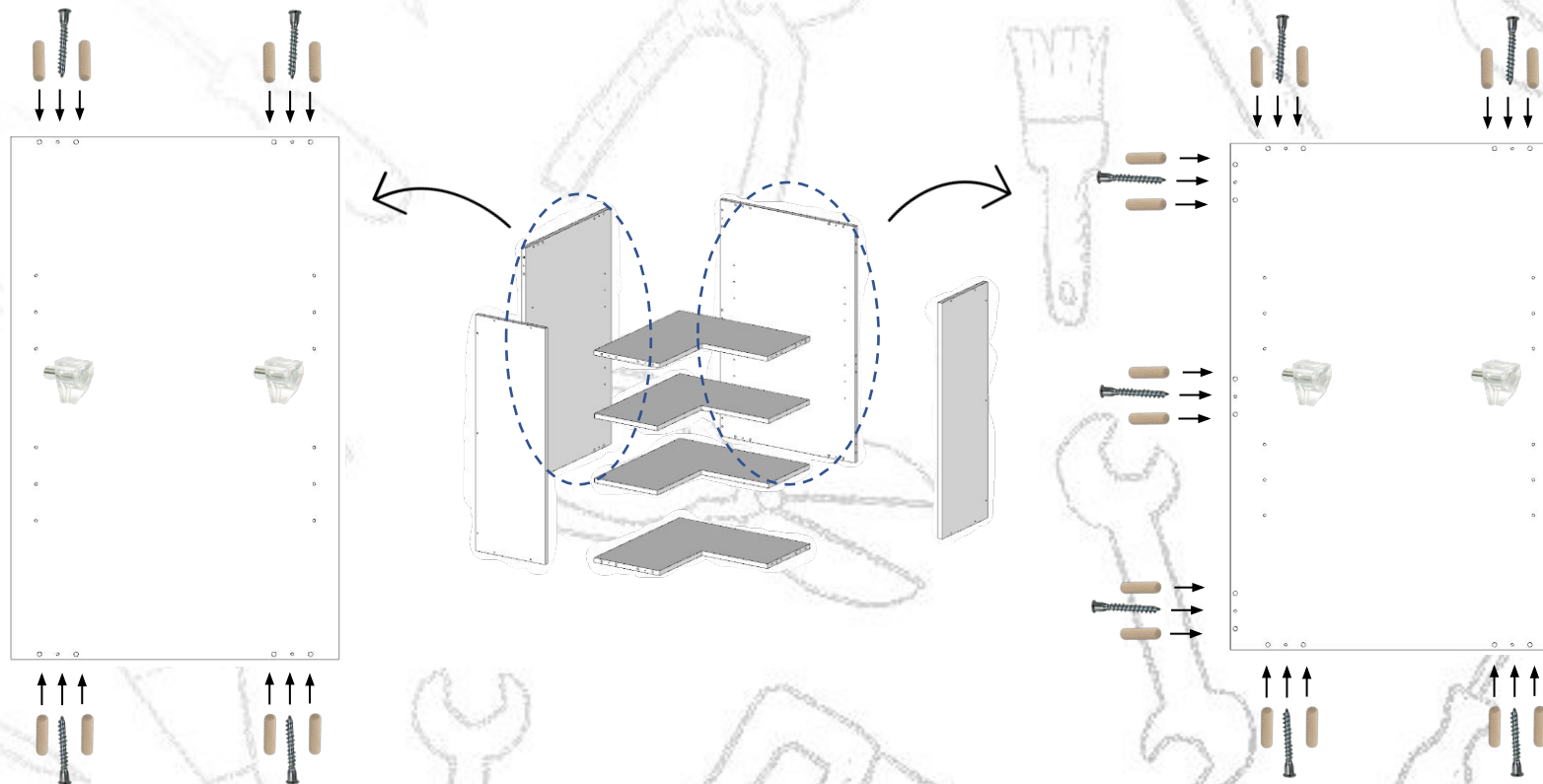
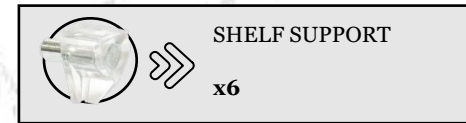
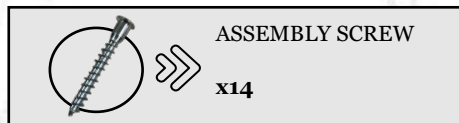
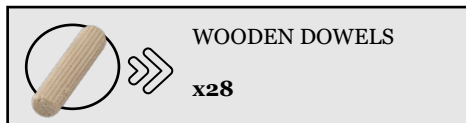
TOOLS REQUIRED

ASSEMBLE PARTS

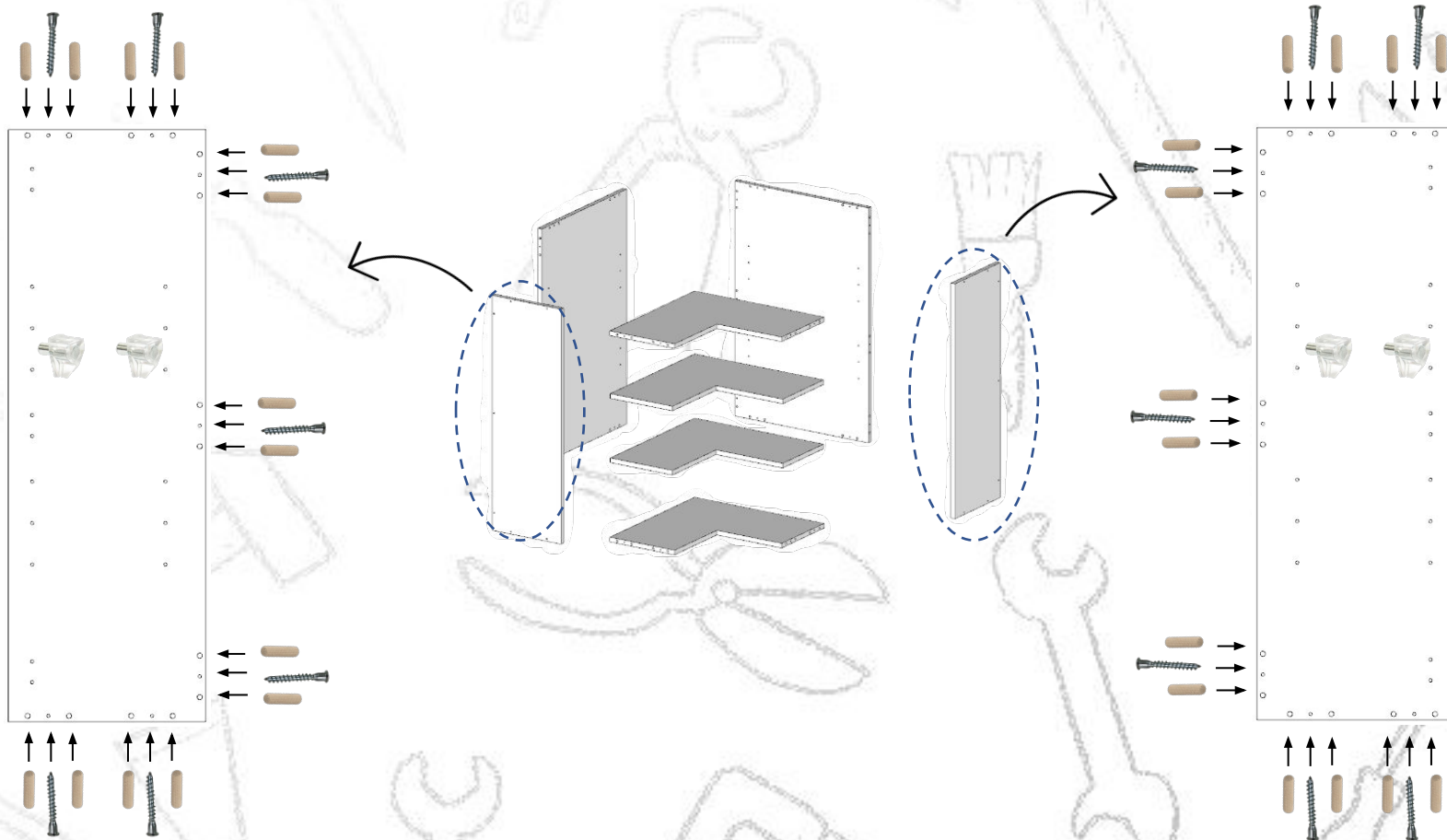
| ITEM | DESCRIPTION | QTY |
|------|------------------|-----|
| A | SIDES | 2 |
| B | LEFT SIDE | 1 |
| C | RIGHT SIDE | 1 |
| D | TOP AND BOTTOM | 2 |
| E | ADJUSTABLE SHELF | 2 |



HARDWARE IDENTIFICATION

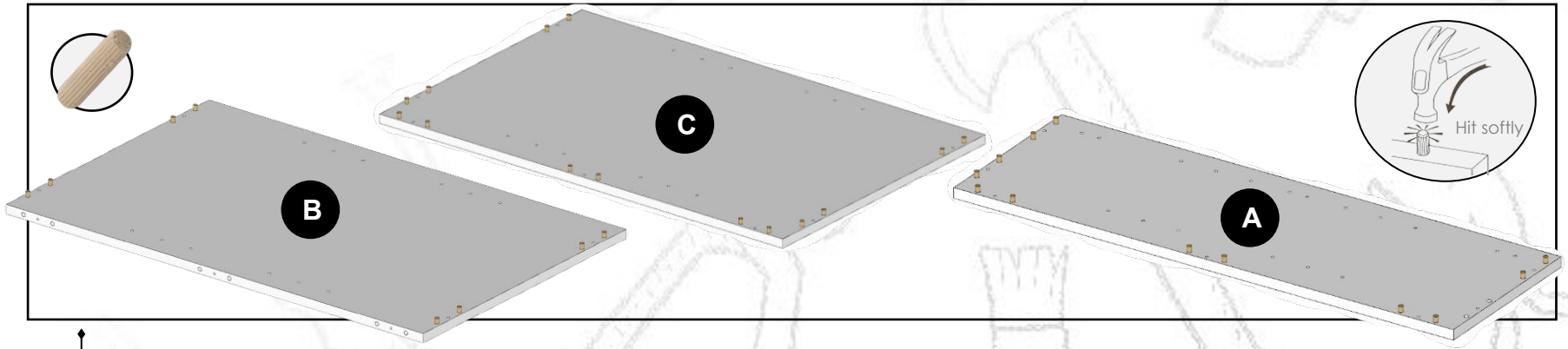


Be careful when opening the hardware bag, so you don't lose any. Check if the number is right; separate the screws into groups for easier identification during assembly.



Be careful when opening the hardware bag, so you don't lose any. Check if the number is right; separate the screws into groups for easier identification during assembly.

FURNITURE ASSEMBLY

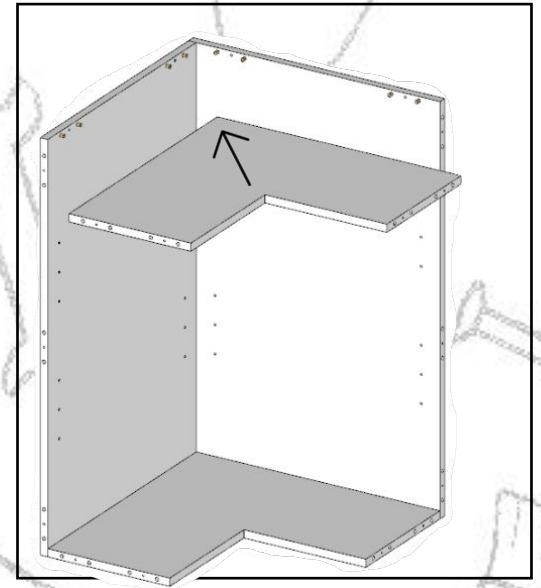
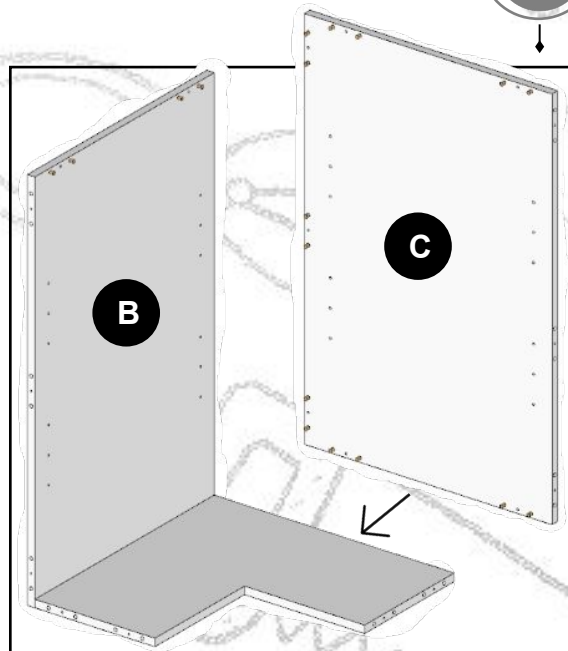
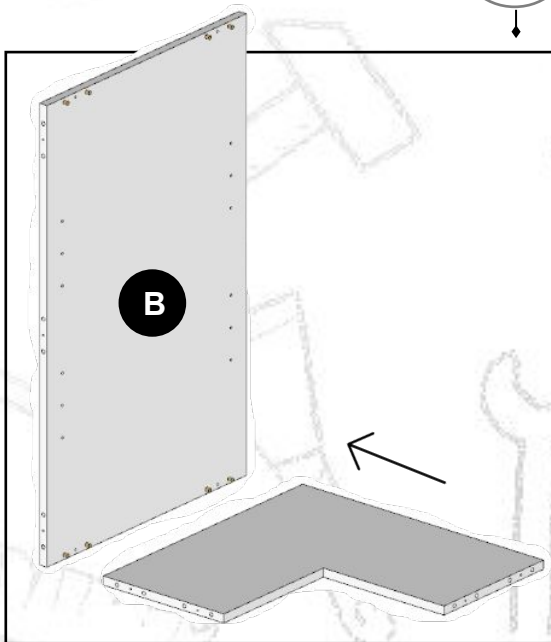


1 STEP

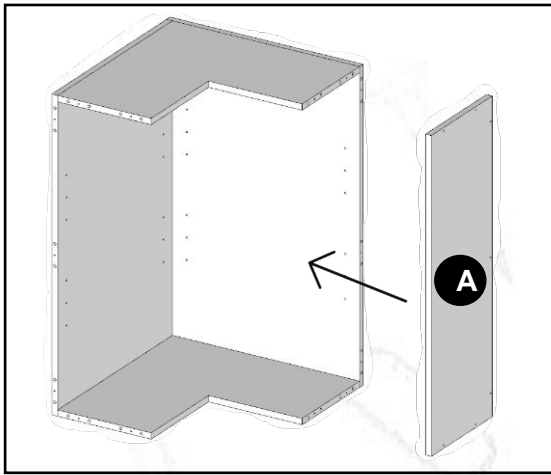
STEP **2**

STEP **3**

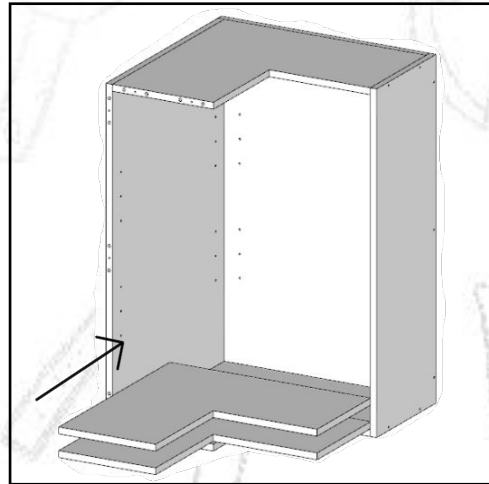
STEP **4**



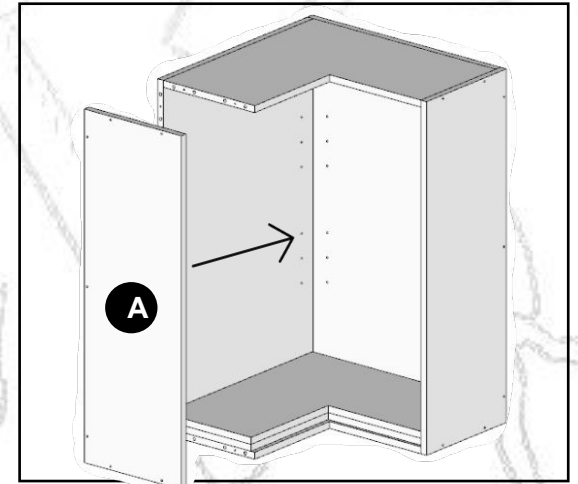
FURNITURE ASSEMBLY



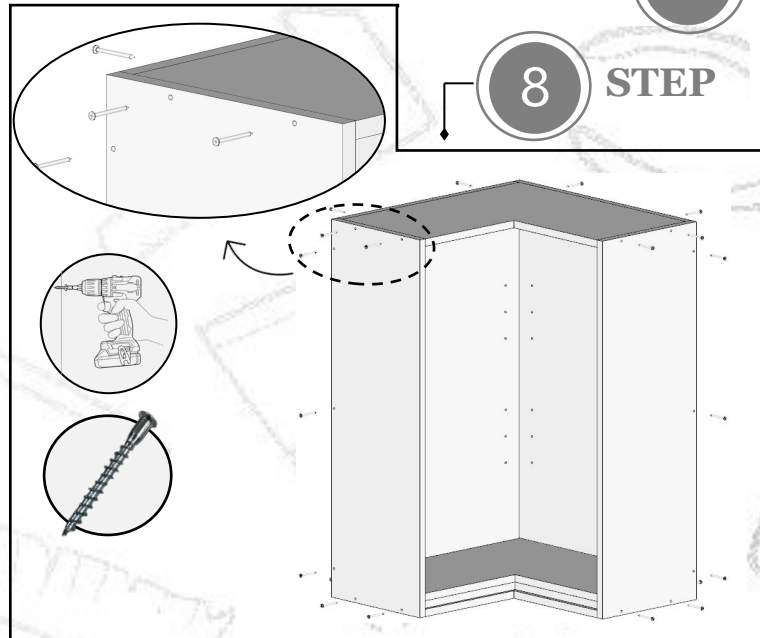
5 STEP



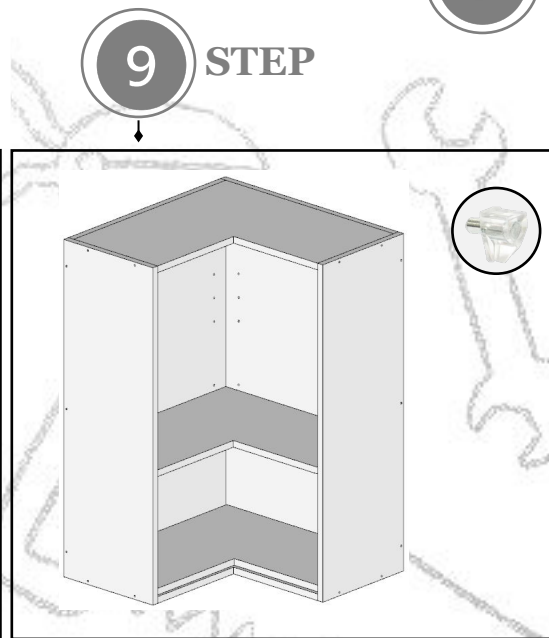
6 STEP



7 STEP



8 STEP



9 STEP

