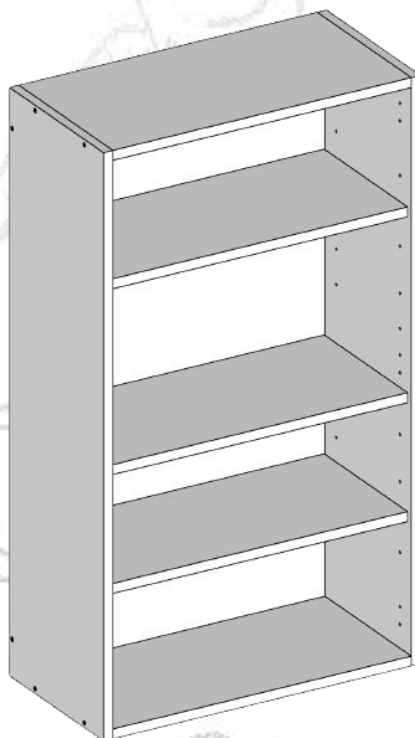


# ASSEMBLY INSTRUCTION

AMERICA'S CABINETS



This assembly manual is suitable for the following cabinets (ITEM CODE):

- WM-W0942-BOX
- WM-W1242-BOX
- WM-W1542-BOX
- WM-W1842-BOX
- WM-W2142-BOX
- WM-W2442-BOX
- WM-W2742-BOX
- WM-W3042-BOX
- WM-W3342-BOX
- WM-W3642-BOX

**REF: WALL CABINET BOX– 12” DEEP x 42” HEIGHT**

*\* IMPORTANT: Before proceeding to assemble this unit, read the assembly instruction and inspect carefully the parts and hardware thoroughly\**

## IMPORTANT RECOMMENDATIONS

- Do not hit or hammer the cabinet (just do it Where indicated).



- Protect furniture from water and moisture. This furniture must not be used outdoors.



- Do not Paint the cabinet



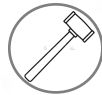
- Do not expose it to heat.



- Two or more people are required to assemble and/or move this unit.



- Unpack and assemble this unit in an spacious area. Assemble the unit on top or the empty box to prevent scratches.



RUBBER HAMMER

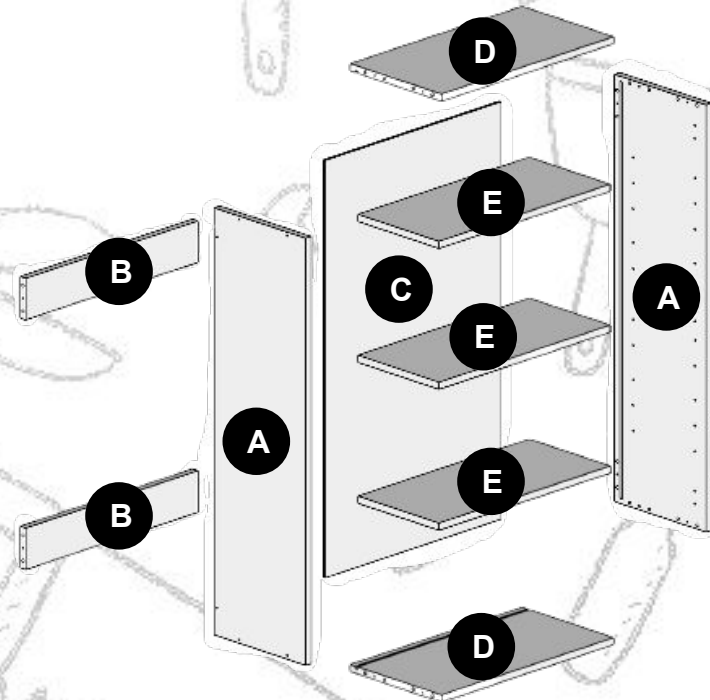


PHILLIPS SCREWDRIVER OR DRILL  
RUBBER HAMMER


**TOOLS REQUIRED**


## ASSEMBLE PARTS


ITEM	DESCRIPTION	QTY
A	SIDES	2
B	STRETCHERS	2
C	BACK	1
D	BOTTOM / TOP	2
E	ADJUSTABLE SHELF	3

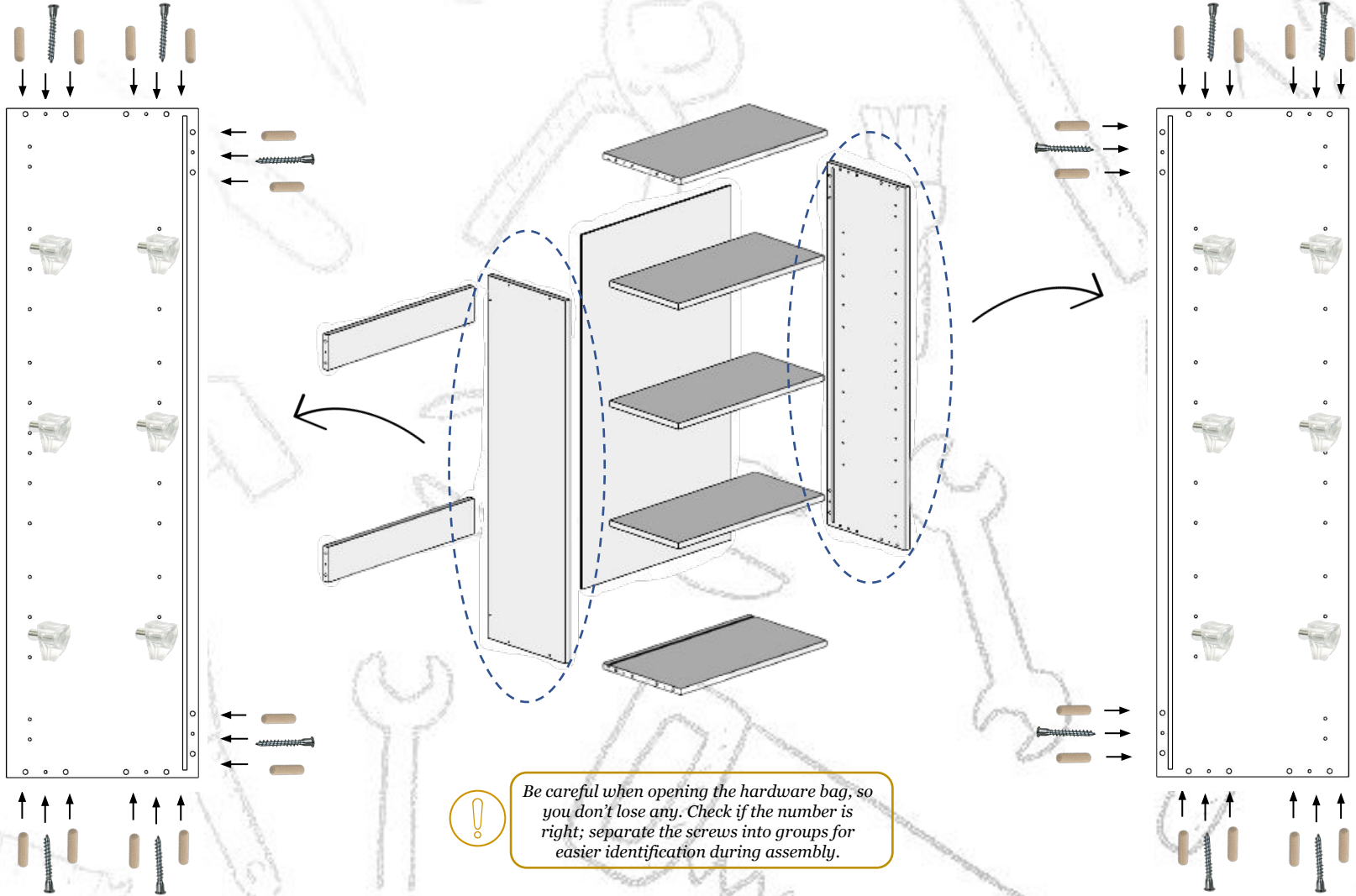



# HARDWARE IDENTIFICATION

 WOODEN DOWELS  
x24

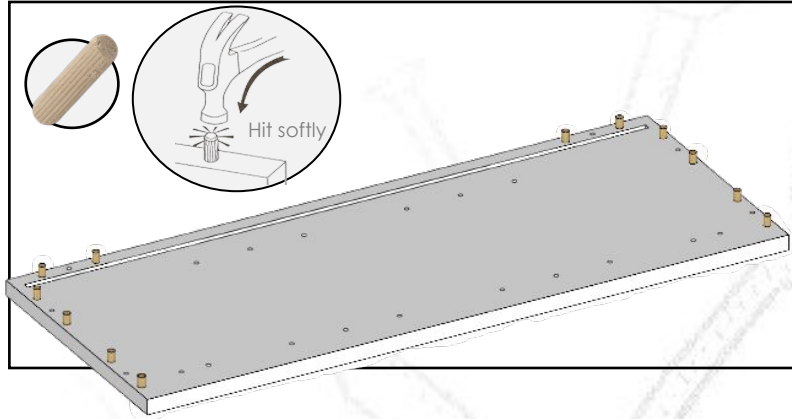
 ASSEMBLY SCREW  
x12

 SHELF SUPPORT  
x12



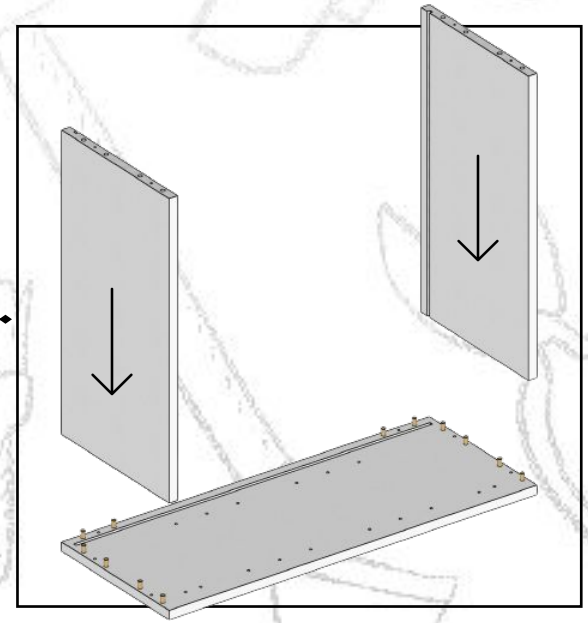
 Be careful when opening the hardware bag, so you don't lose any. Check if the number is right; separate the screws into groups for easier identification during assembly.

# FURNITURE ASSEMBLY

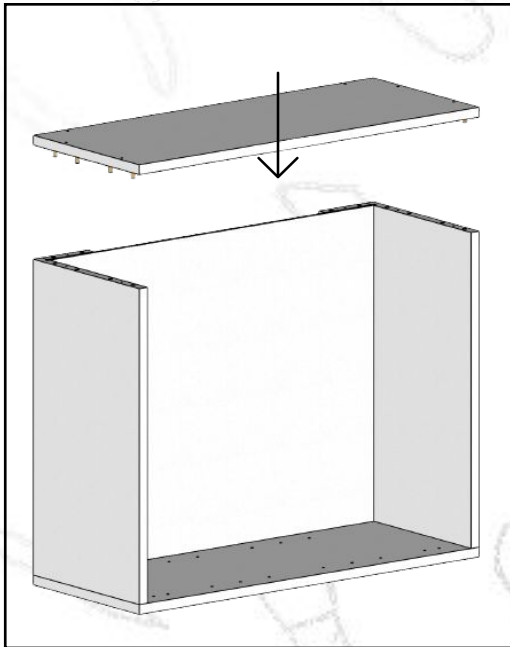
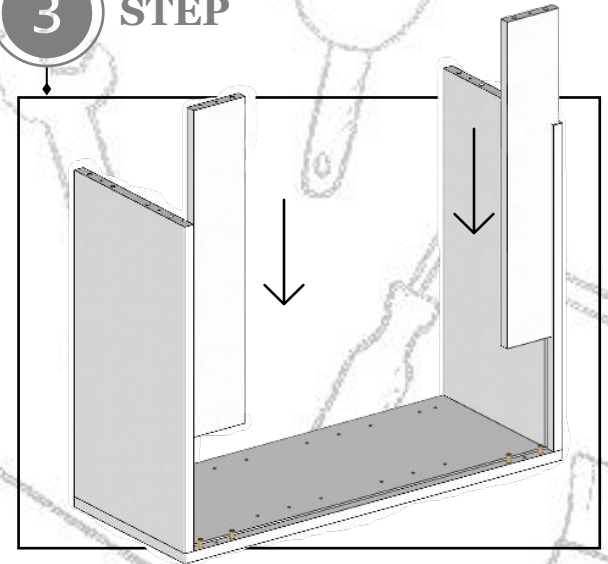


1 STEP

STEP 2

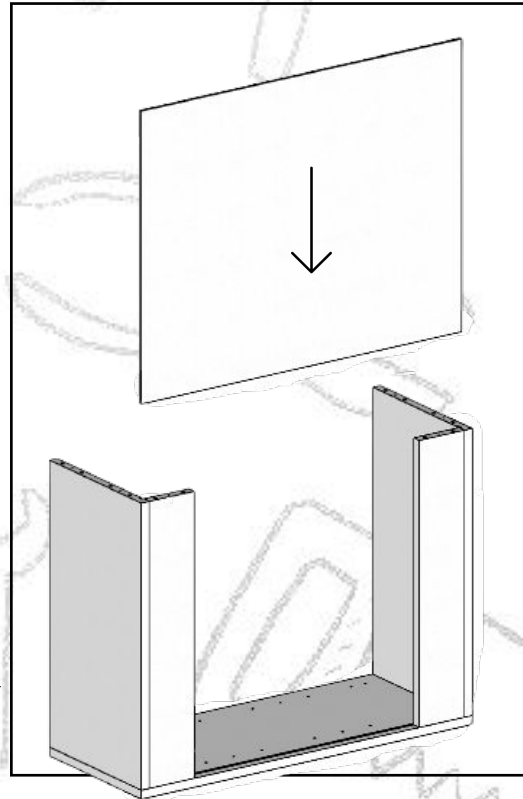


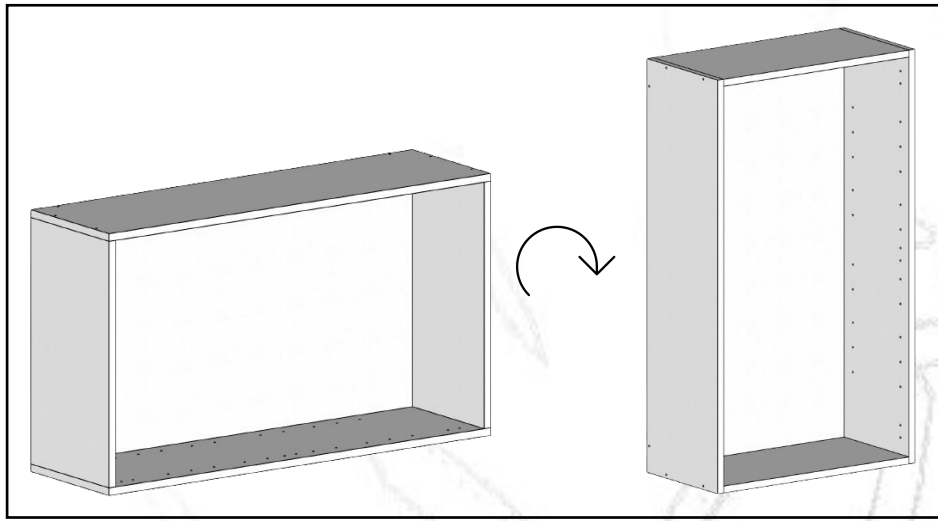
3 STEP



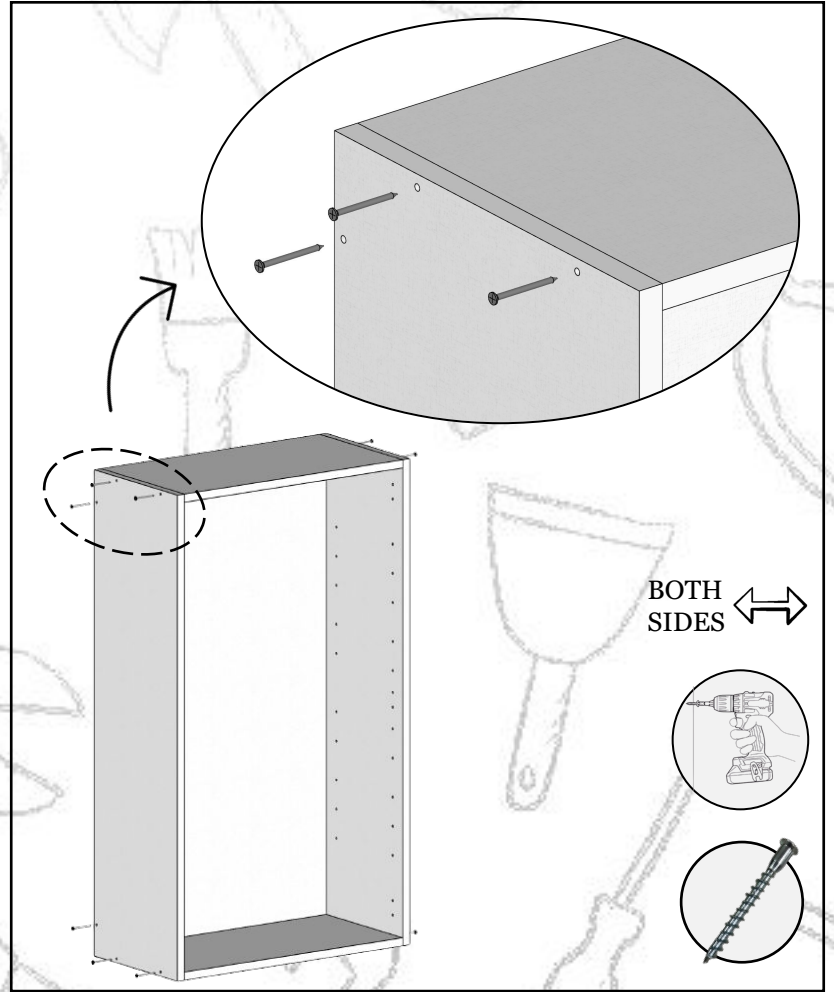
STEP 4

5 STEP

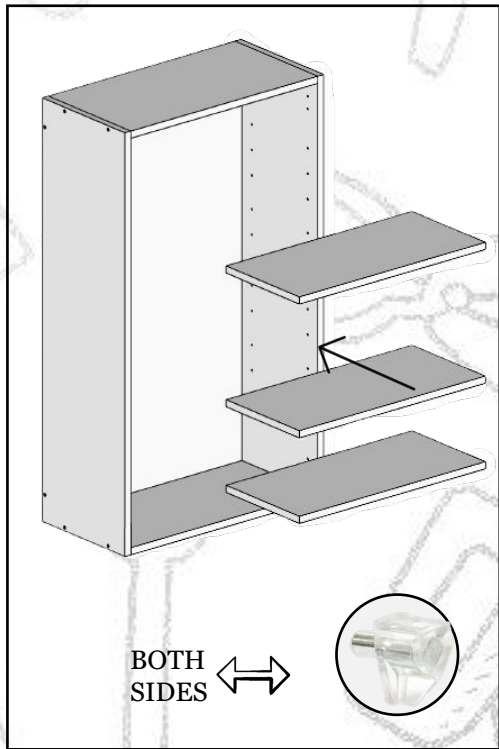
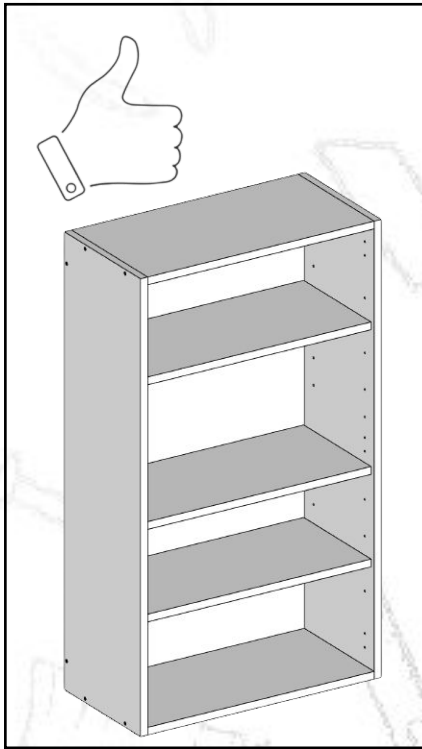




**6 STEP**



**BOTH SIDES** ⇄



**BOTH SIDES** ⇄

**8 STEP**

**STEP 7**