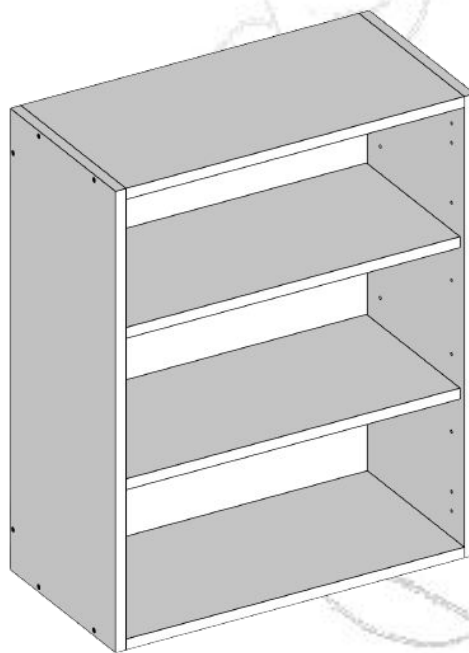


ASSEMBLY INSTRUCTION

AMERICA'S CABINETS



This assembly manual is suitable for the following cabinets (ITEM CODE):

- WM-W0930-BOX
- WM-W1230-BOX
- WM-W1530-BOX
- WM-W1830-BOX
- WM-W2130-BOX
- WM-W2430-BOX
- WM-W2730-BOX
- WM-W3030-BOX
- WM-W3330-BOX
- WM-W3630-BOX







- WM-W0936-BOX
- WM-W1236-BOX
- WM-W1536-BOX
- WM-W1836-BOX
- WM-W2136-BOX
- WM-W2436-BOX
- WM-W2736-BOX
- WM-W3036-BOX
- WM-W3336-BOX
- WM-W3636-BOX

REF: WALL CABINET BOX– 12” DEEP x 30” HEIGHT

REF: WALL CABINET BOX– 12” DEEP x 36” HEIGHT

** IMPORTANT: Before proceeding to assemble this unit, read the assembly instruction and inspect carefully the parts and hardware thoroughly**

IMPORTANT RECOMMENDATIONS

- Do not hit or hammer the cabinet (just do it Where indicated). 
- Do not expose it to heat. 
- Protect furniture from water and moisture. This furniture must not be used outdoors. 
- Two or more people are required to assemble and/or move this unit. 
- Do not Paint the cabinet 
- Unpack and assemble this unit in an spacious area. Assemble the unit on top or the empty box to prevent scratches. 



RUBBER HAMMER

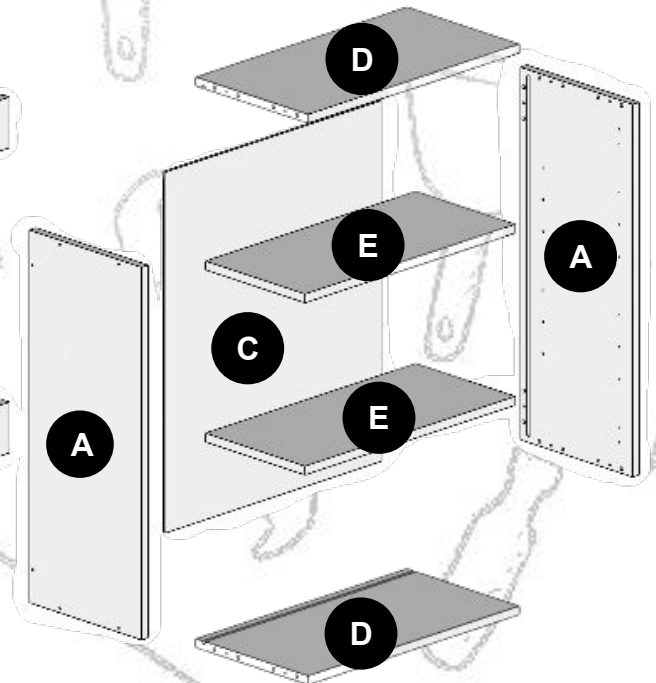
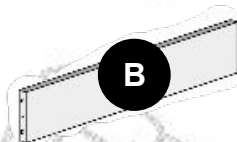
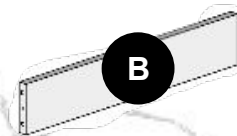


PHILLIPS SCREWDRIVER OR DRILL
RUBBER HAMMER

TOOLS REQUIRED

ASSEMBLE PARTS

ITEM	DESCRIPTION	QTY
A	SIDES	2
B	STRETCHERS	2
C	BACK	1
D	BOTTOM / TOP	2
E	ADJUSTABLE SHELF	2



HARDWARE IDENTIFICATION



WOODEN DOWELS

x24



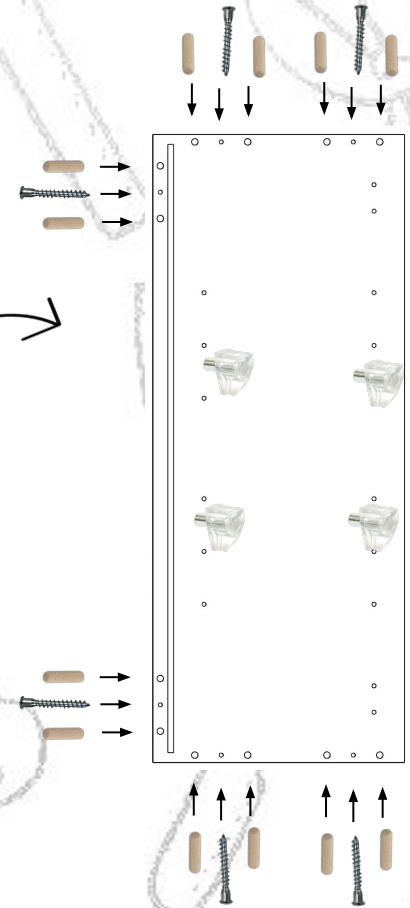
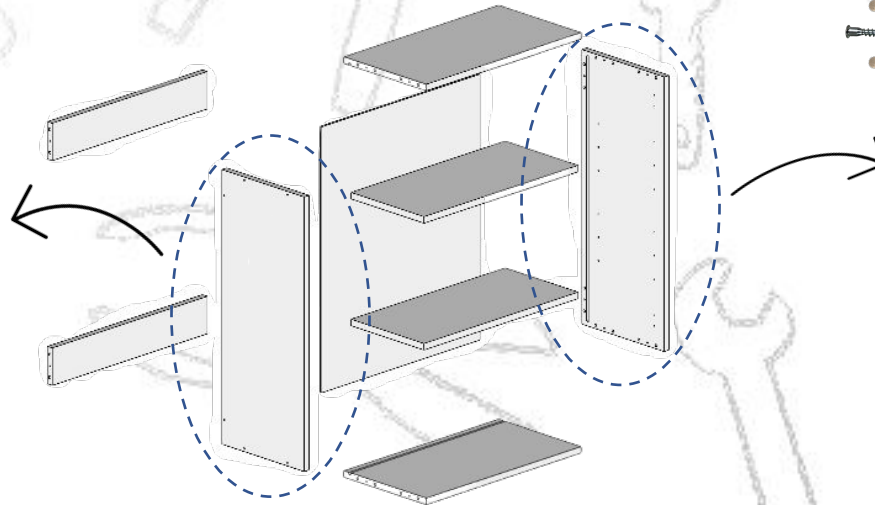
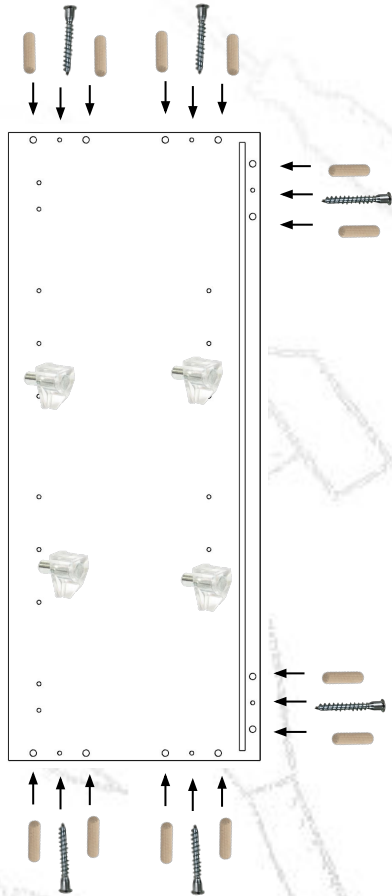
ASSEMBLY SCREW

x12



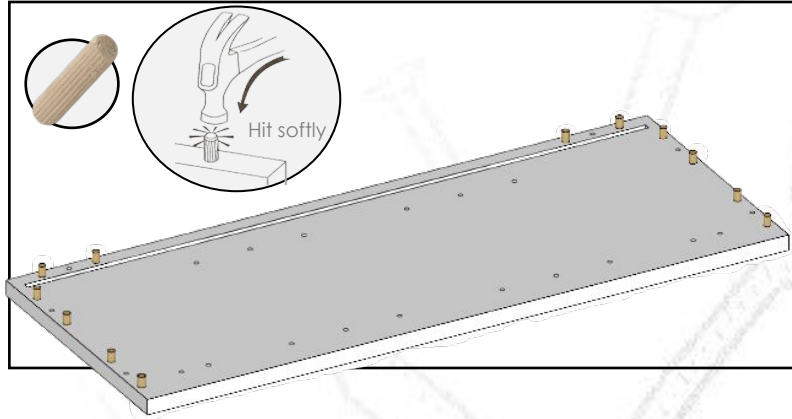
SHELF SUPPORT

x8



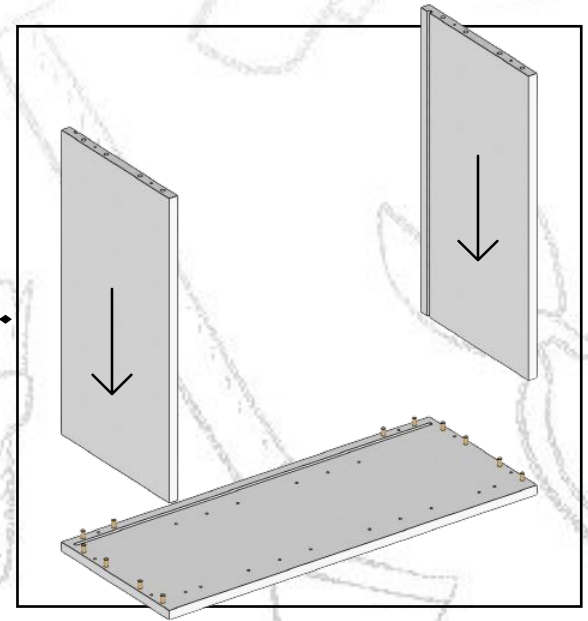
Be careful when opening the hardware bag, so you don't lose any. Check if the number is right; separate the screws into groups for easier identification during assembly.

FURNITURE ASSEMBLY

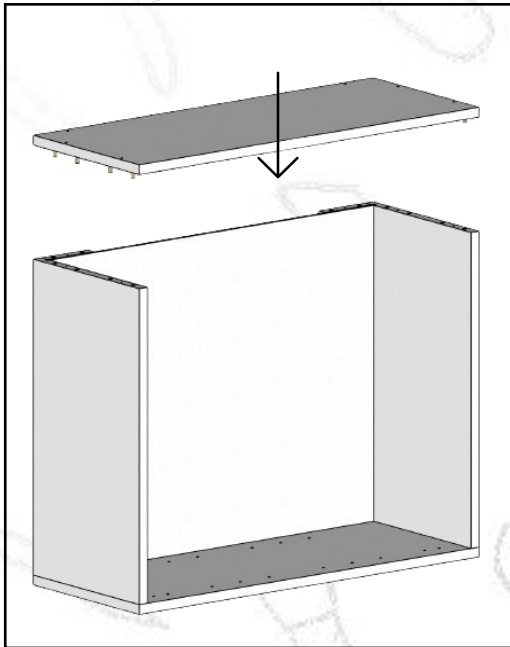
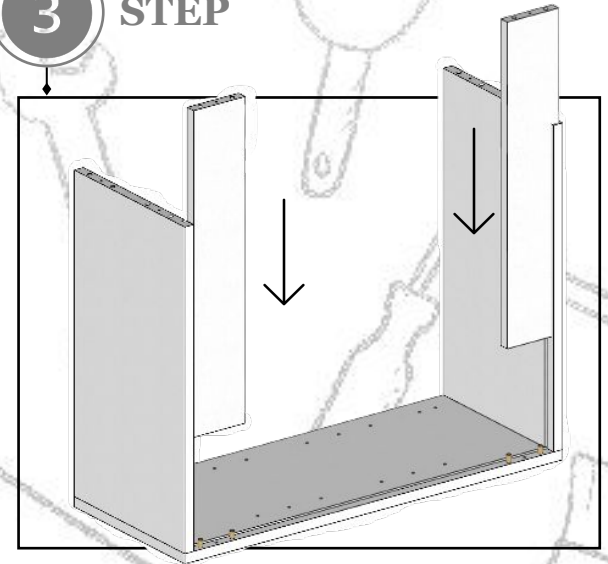


1 STEP

STEP 2

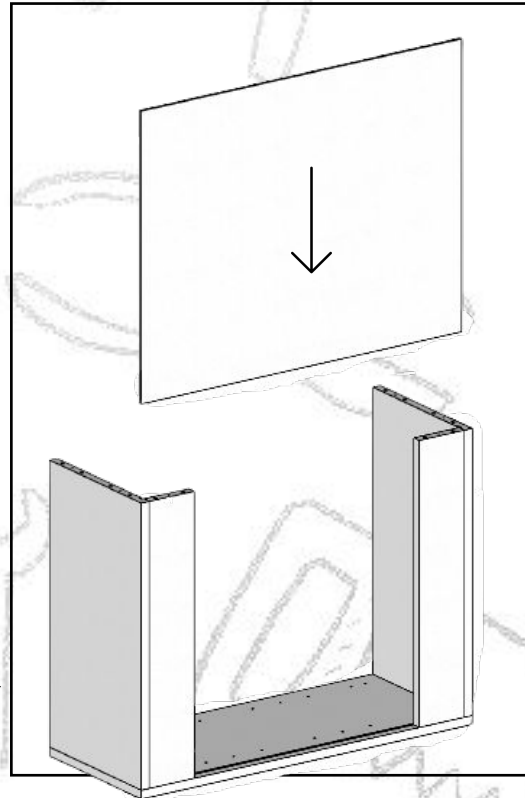


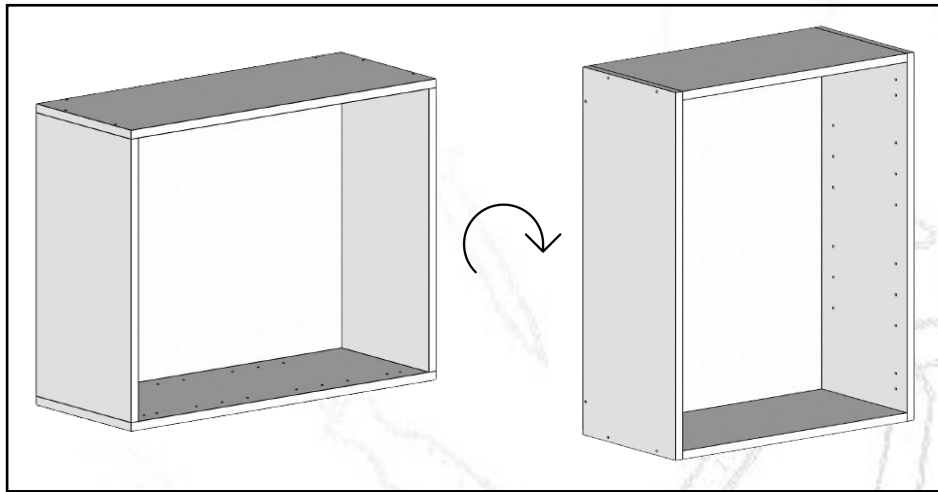
3 STEP



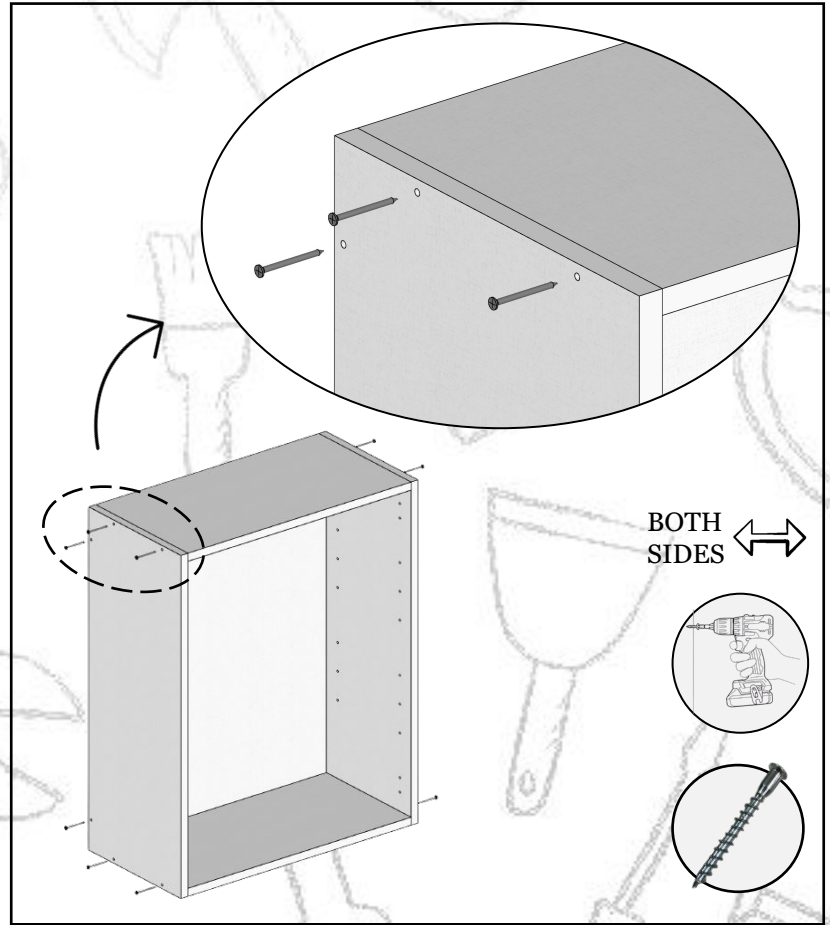
STEP 4

5 STEP



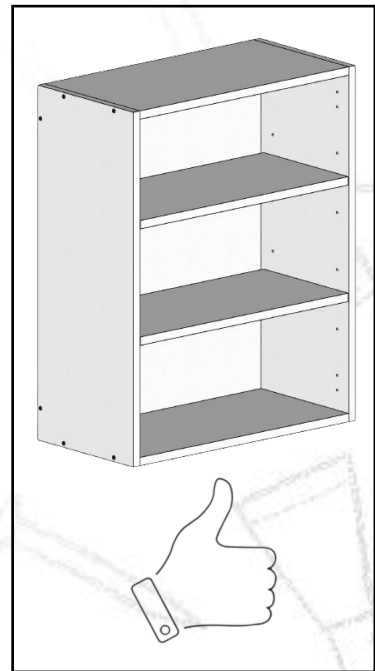


6 STEP

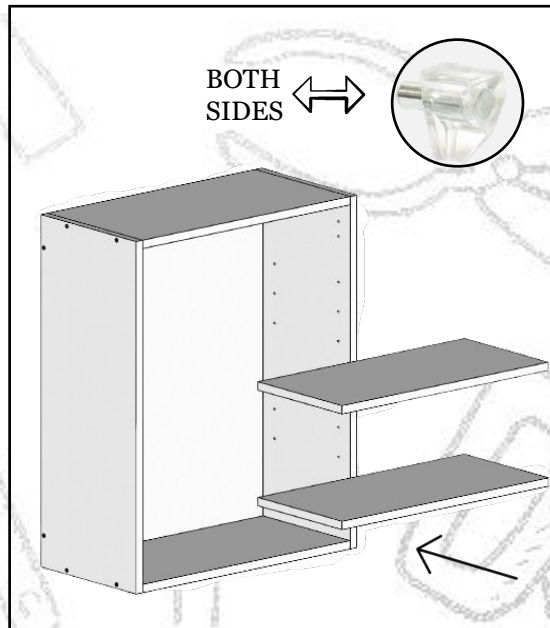


BOTH SIDES ↔

7 STEP



8 STEP



BOTH SIDES ↔