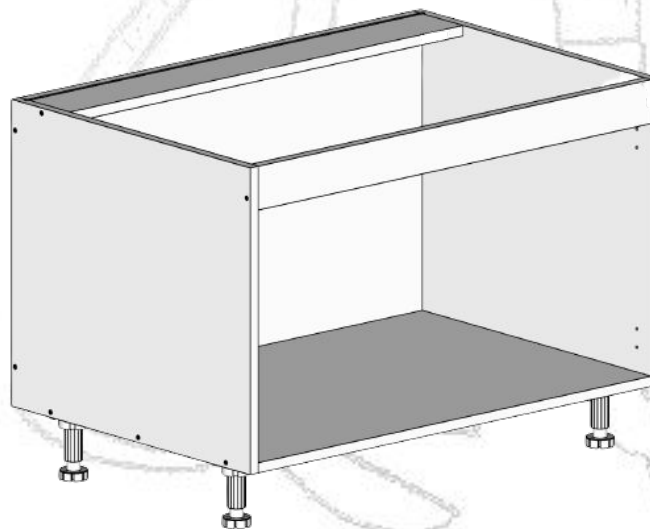


# ASSEMBLY INSTRUCTION

AMERICA'S CABINETS



This assembly manual is suitable for the following cabinets (ITEM CODE):



• WM-FSB36-BOX

**REF: FARM SINK 24" DEEP X 21" HEIGHT**

*\* IMPORTANT: Before proceeding to assemble this unit, read the assembly instruction and inspect carefully the parts and hardware thoroughly\**

## IMPORTANT RECOMMENDATIONS

- Do not hit or hammer the cabinet (just do it Where indicated).



- Protect furniture from water and moisture. This furniture must not be used outdoors.



- Do not Paint the cabinet



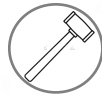
- Do not expose it to heat.



- Two or more people are required to assemble and/or move this unit.



- Unpack and assemble this unit in an spacious area. Assemble the unit on top or the empty box to prevent scratches.



RUBBER HAMMER

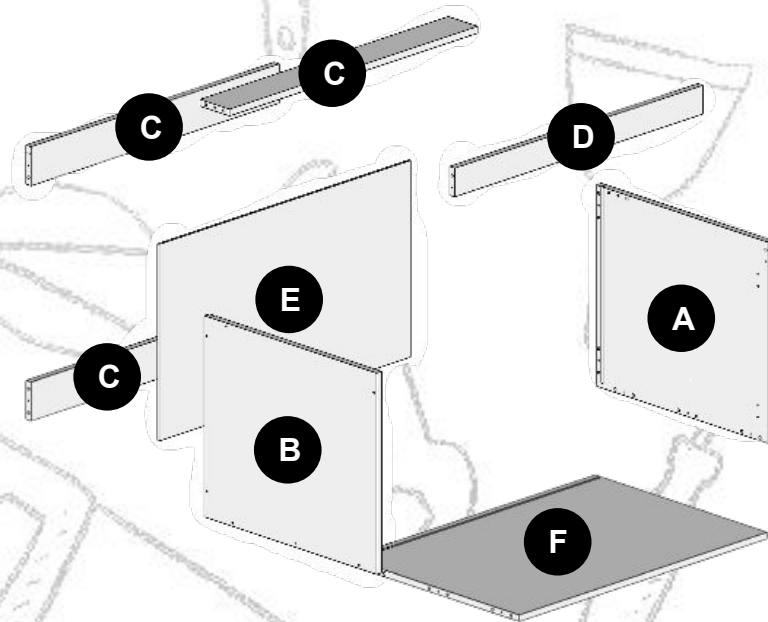


PHILLIPS SCREWDRIVER OR DRILL  
RUBBER HAMMER

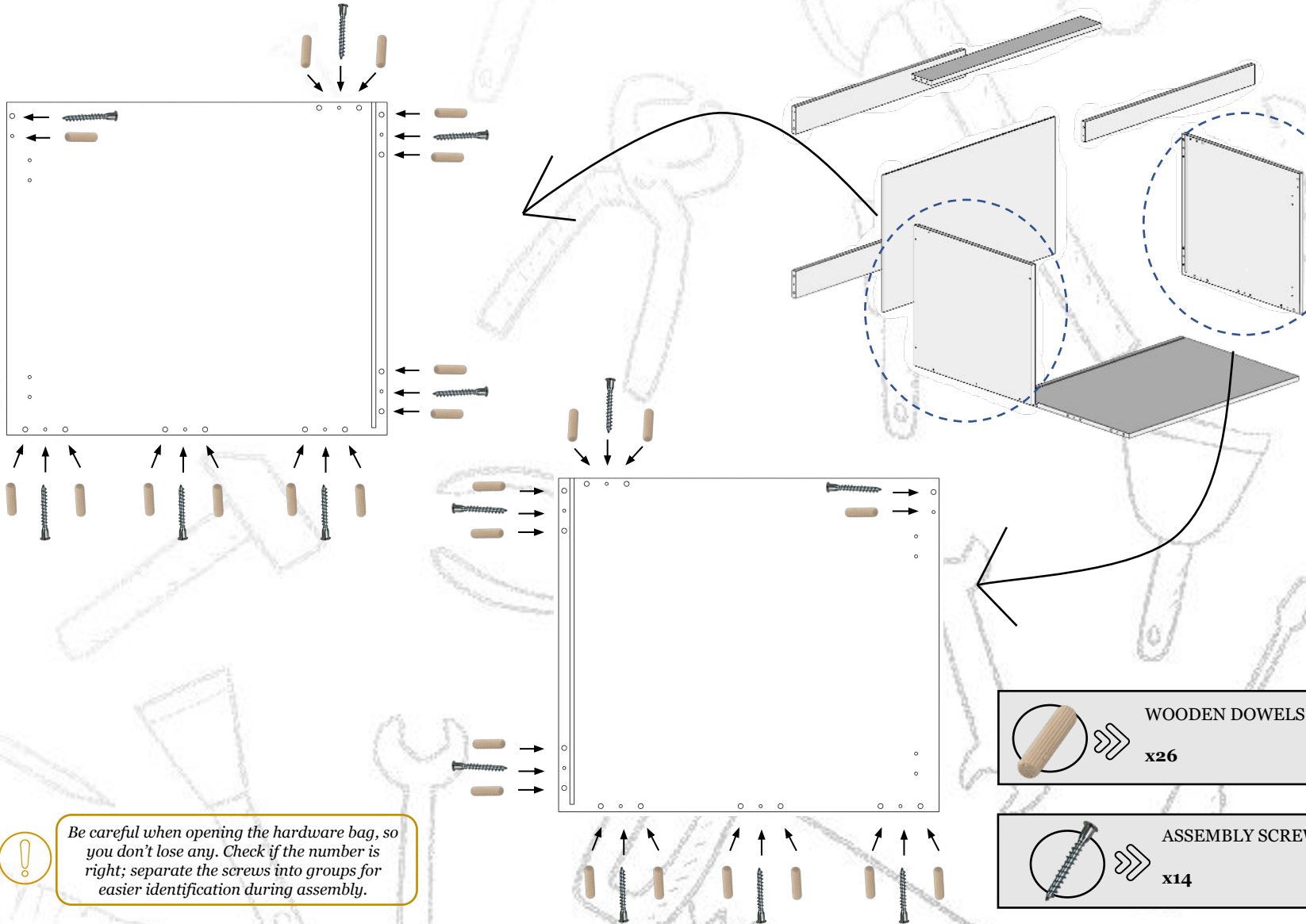
**TOOLS REQUIRED**

## ASSEMBLE PARTS

ITEM	DESCRIPTION	QTY
A	RIGHT SIDE	1
B	LEFT SIDE	1
C	STRETCHERS LONG	3
D	STRETCHERS SHORT	1
E	BACK	1
F	BOTTOM	1

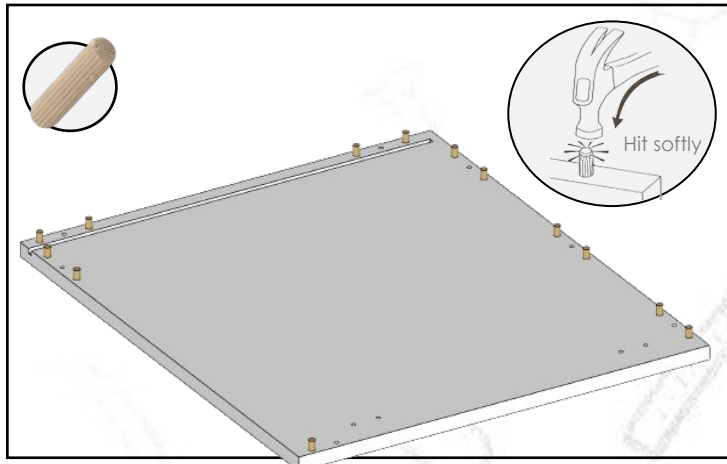


# HARDWARE IDENTIFICATION

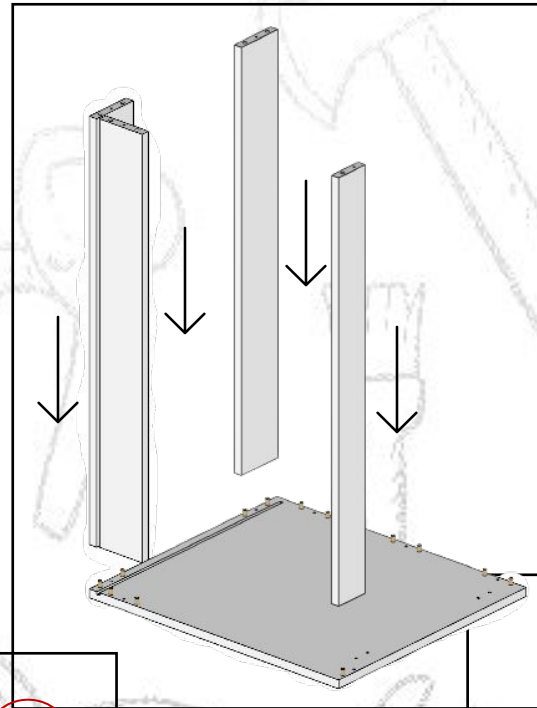


*Be careful when opening the hardware bag, so you don't lose any. Check if the number is right; separate the screws into groups for easier identification during assembly.*

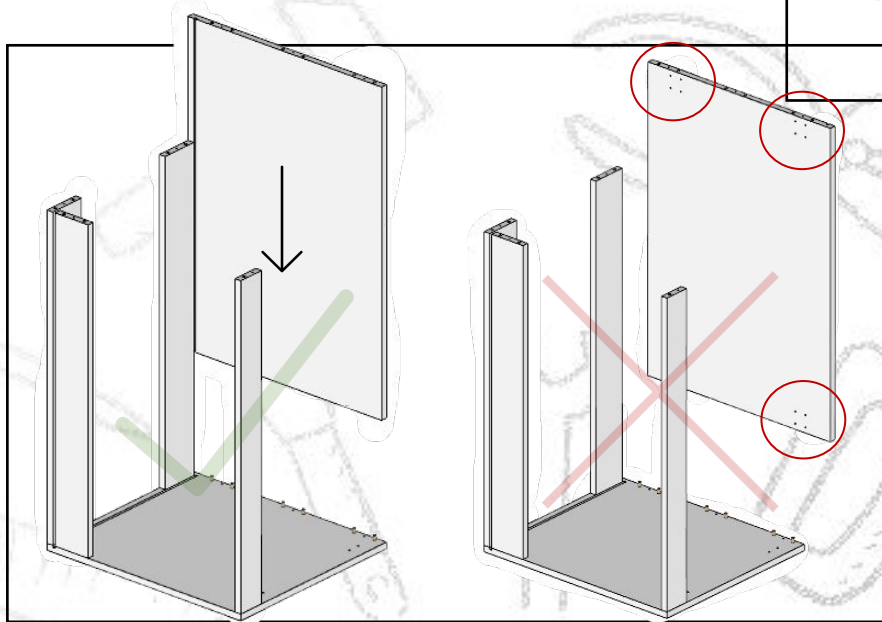
# FURNITURE ASSEMBLY



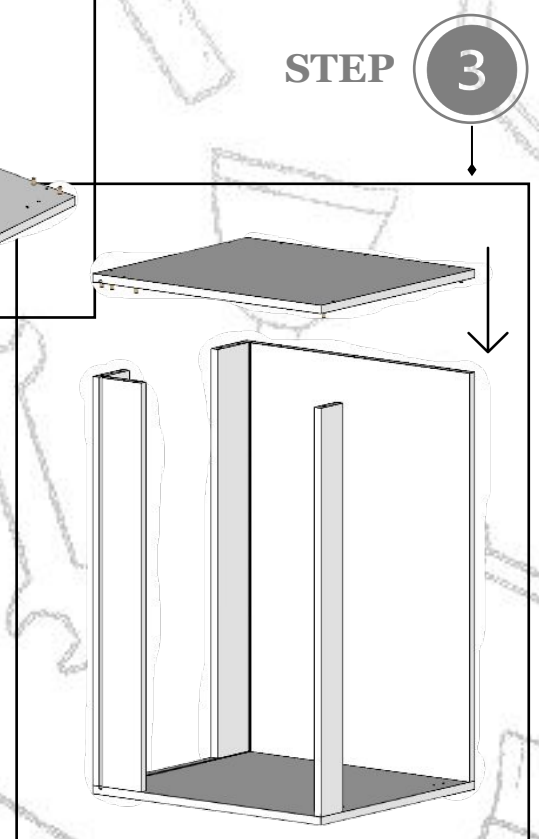
**1** STEP



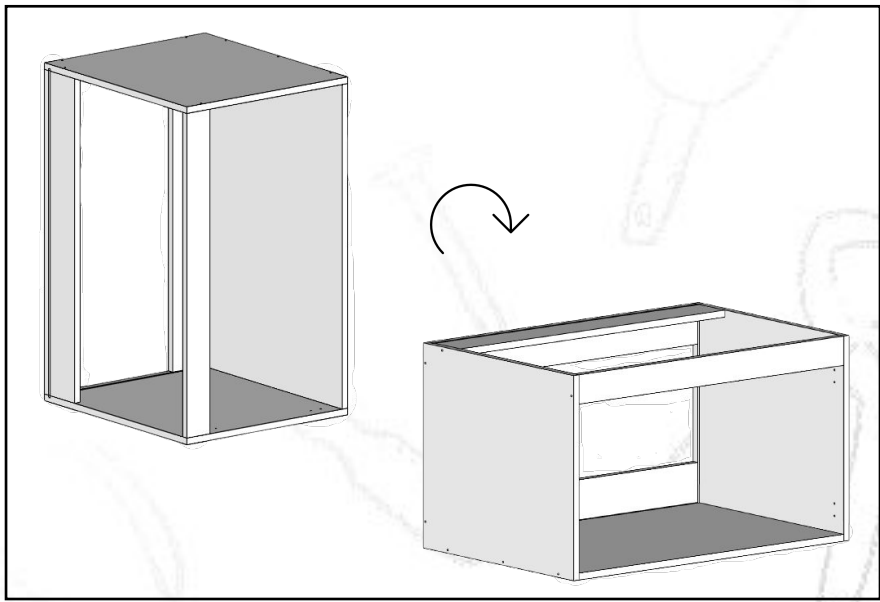
**2** STEP



**4** STEP

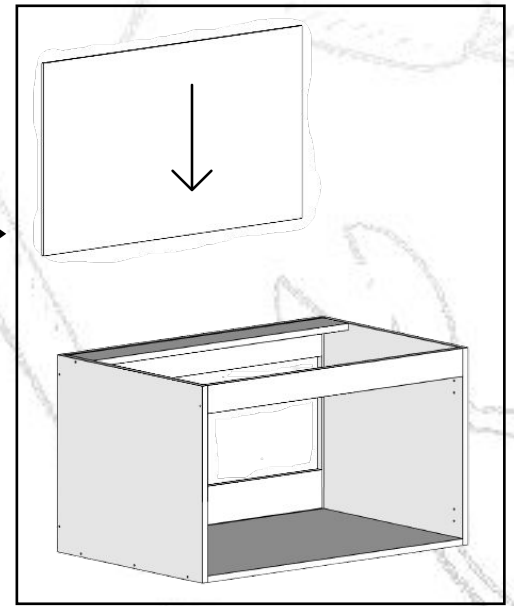


STEP **3**

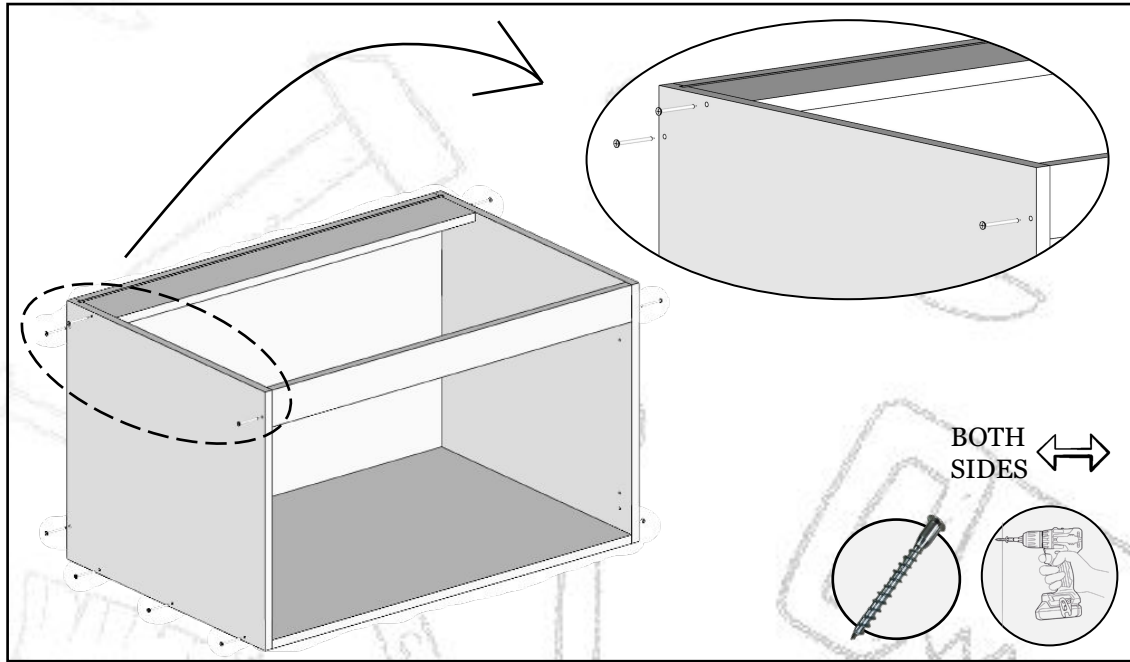


**5 STEP**

**STEP 6**



**7 STEP**



**BOTH SIDES**

