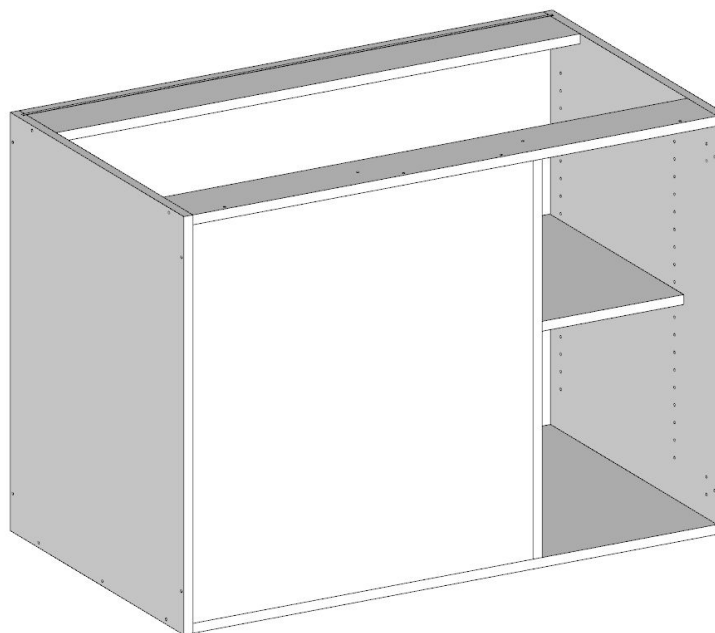


ASSEMBLY INSTRUCTION

AMERICA'S CABINETS



This assembly manual is suitable for the following cabinets (ITEM CODE):

- WM-BBC42-BOX

REF: BASE BLIND CORNER BOX - 1 SHELF - REVERSABLE

** IMPORTANT: Before proceeding to assemble this unit, read the assembly instruction and inspect carefully the parts and hardware thoroughly**

IMPORTANT RECOMMENDATIONS

- Do not hit or hammer the cabinet (just do it Where indicated).



- Do not expose it to heat.



- Protect furniture from water and moisture. This furniture must not be used outdoors.



- Two or more people are required to assemble and/or move this unit.



- Do not Paint the cabinet



- Unpack and assemble this unit in an spacious área. Assemble the unit on top or the empty box to prevent scratches.



TOOLS REQUIRED



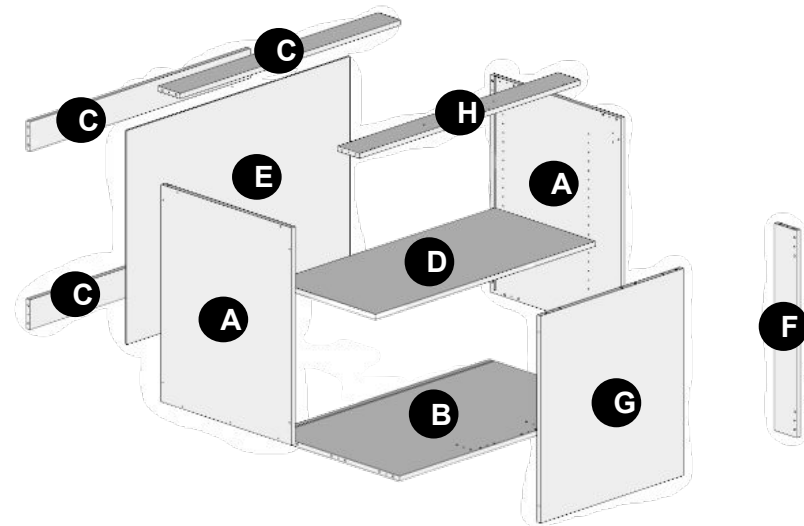
RUBBER HAMMER




PHILLIPS SCREWDRIVER OR DRILL
RUBBER HAMMER


ASSEMBLE PARTS

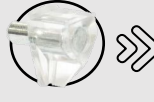
ITEM	DESRPTION	QTY
A	SIDES	2
B	TOP AND BOTTOM	1
C	STRETCHERS/NAILE R	3
D	ADJUSTABLE SHELF	2
E	BACK	1
F	FILLER	1
G	FIXED PANEL	1
H	STRETCHERS/NAILE R MECHANIZED	1

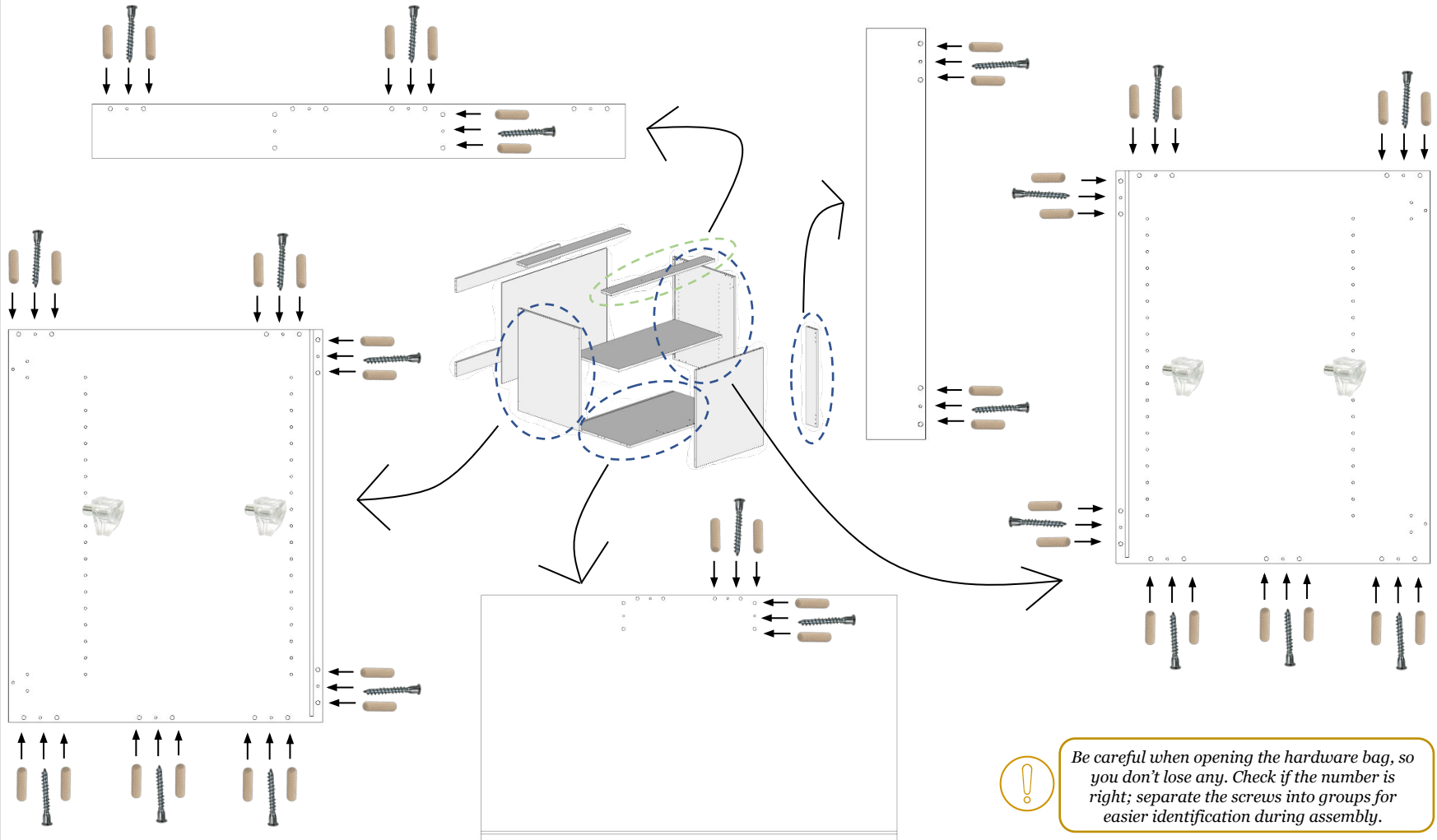


HARDWARE IDENTIFICATION

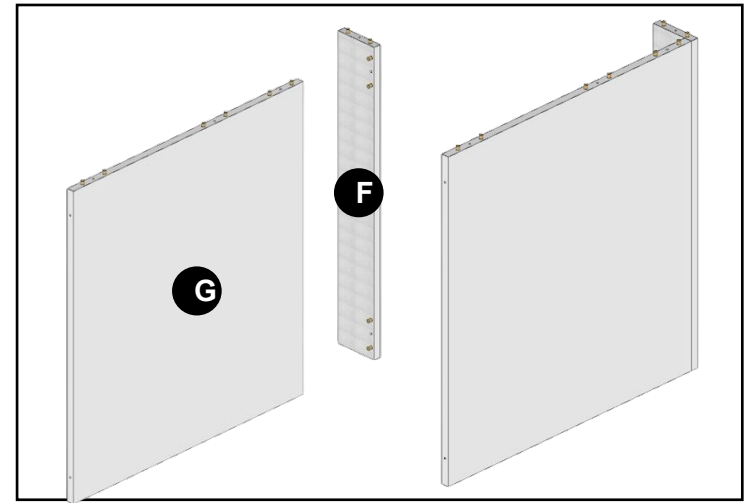
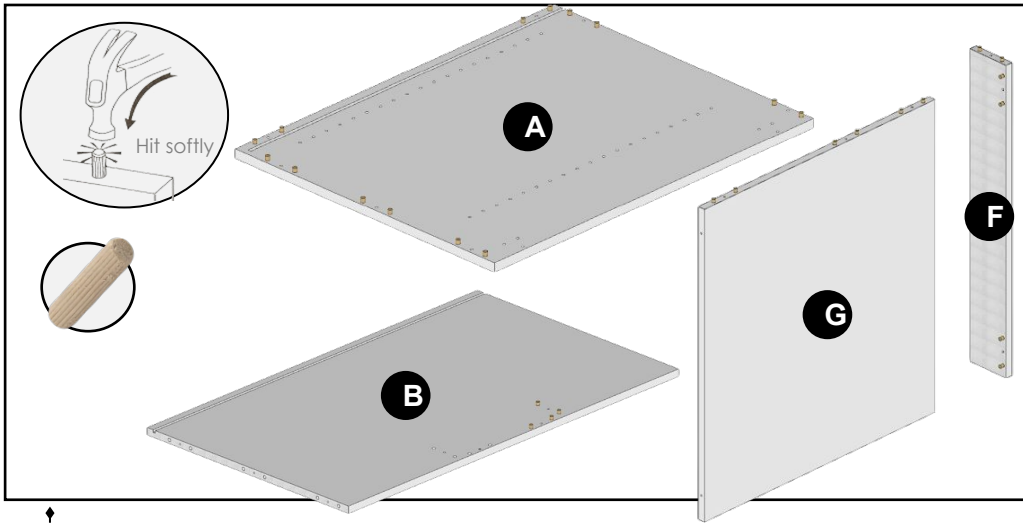
 WOODEN DOWELS
x42

 ASSEMBLY SCREW
x21

 SHELF SUPPORT
x4

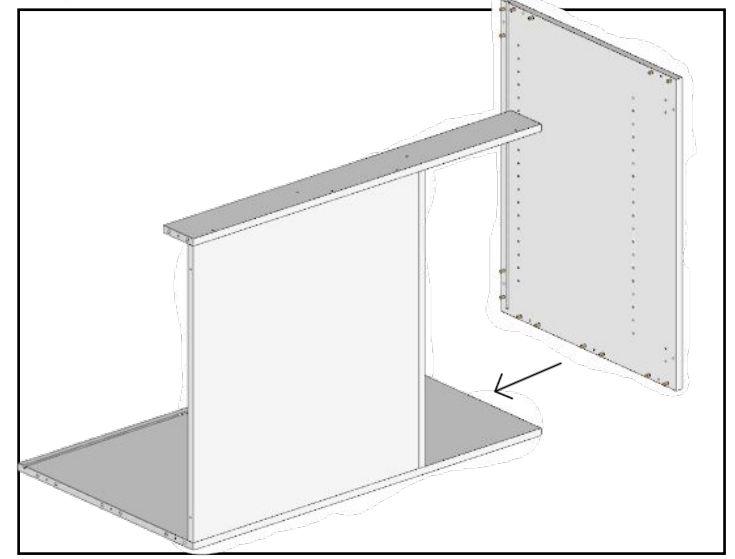
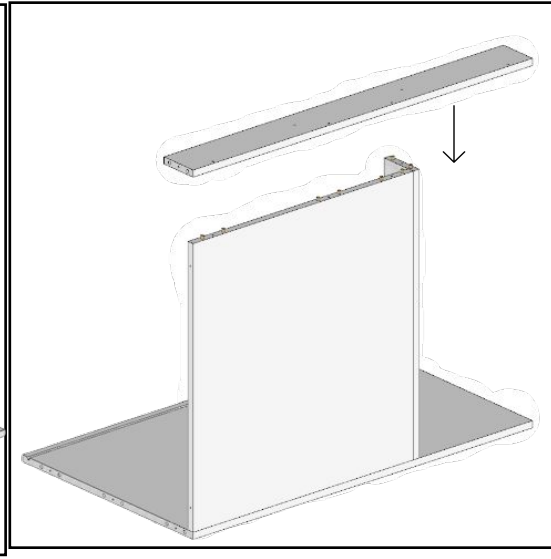
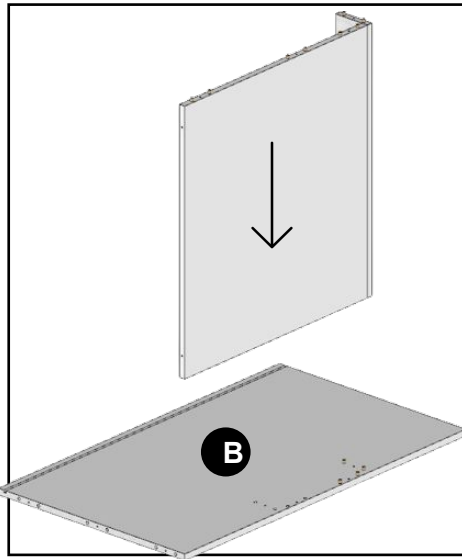


FURNITURE ASSEMBLY

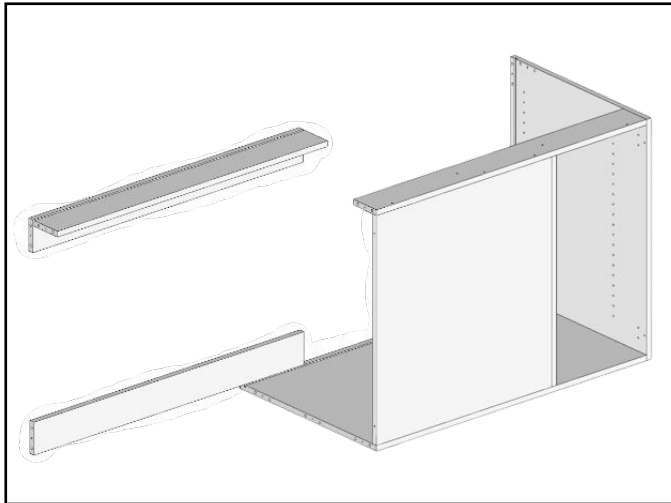


1 STEP STEP 3 STEP 4 STEP

5 STEP STEP 2

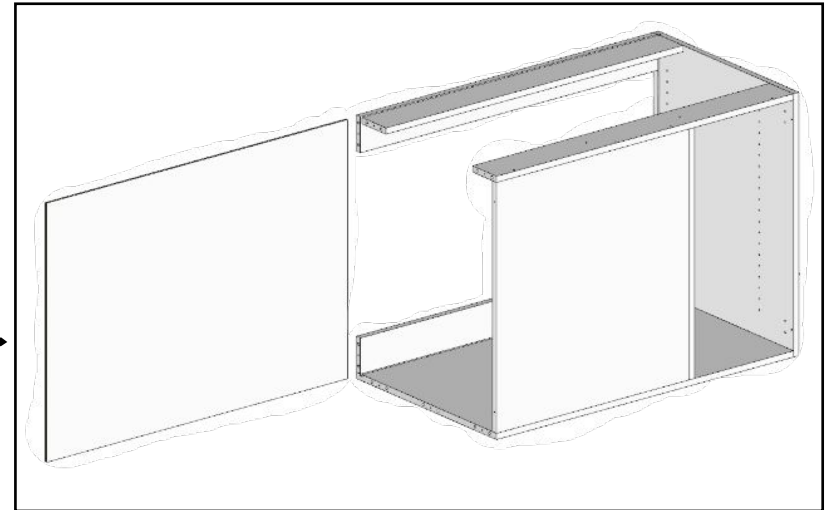


FURNITURE ASSEMBLY

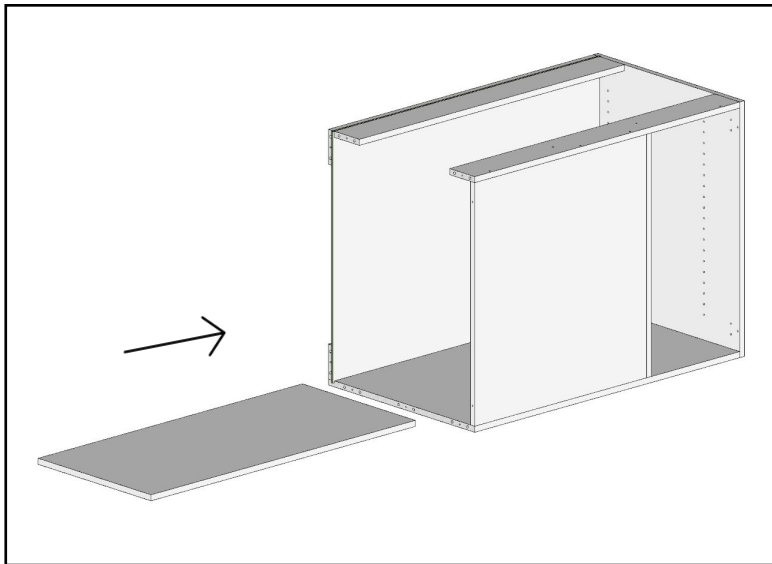


6 STEP

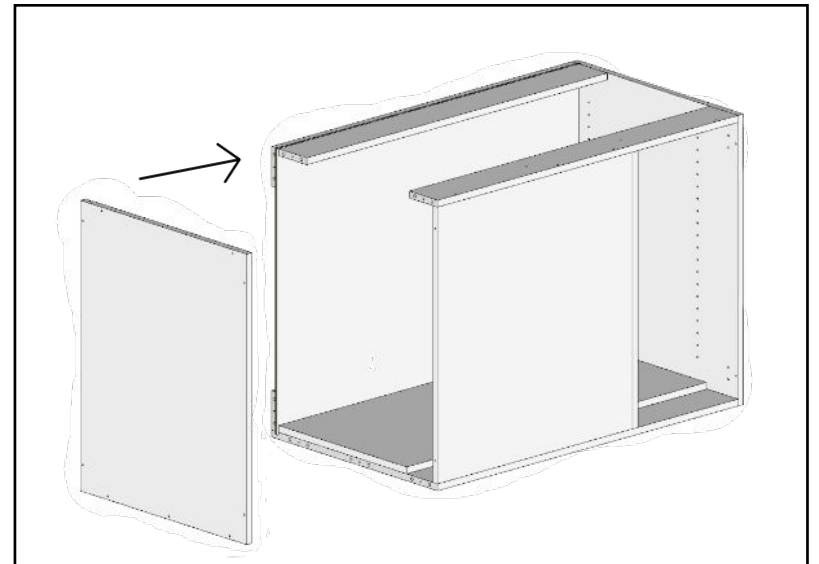
STEP 7



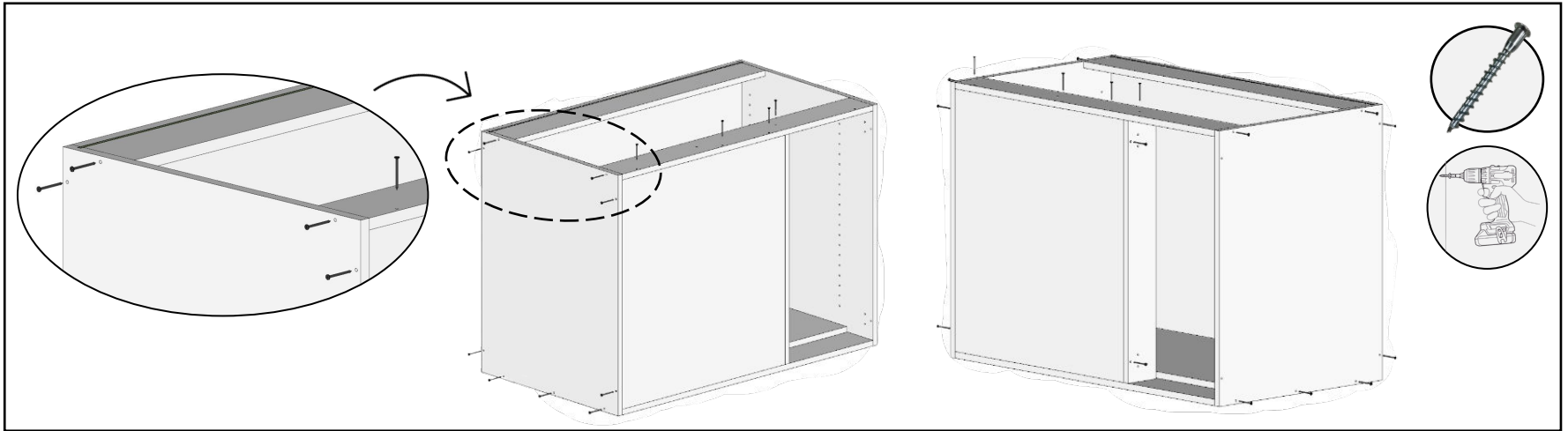
8 STEP



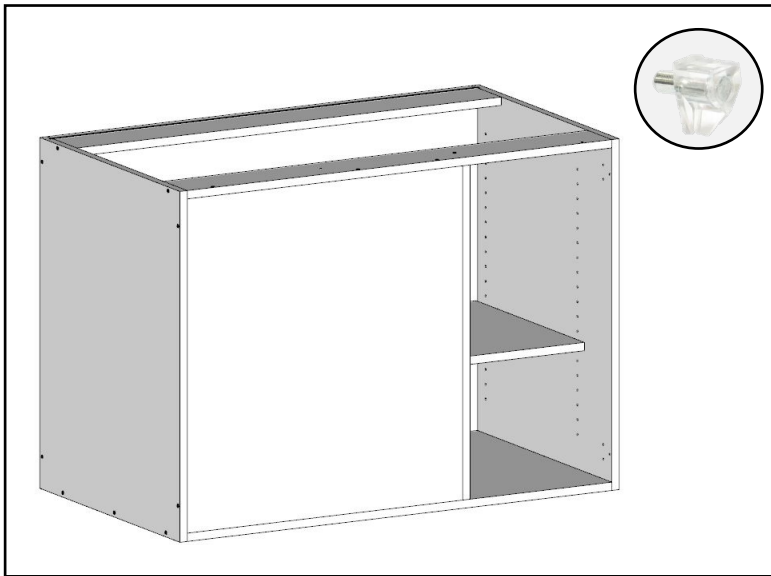
STEP 9



FURNITURE ASSEMBLY



11 STEP



STEP **10**

