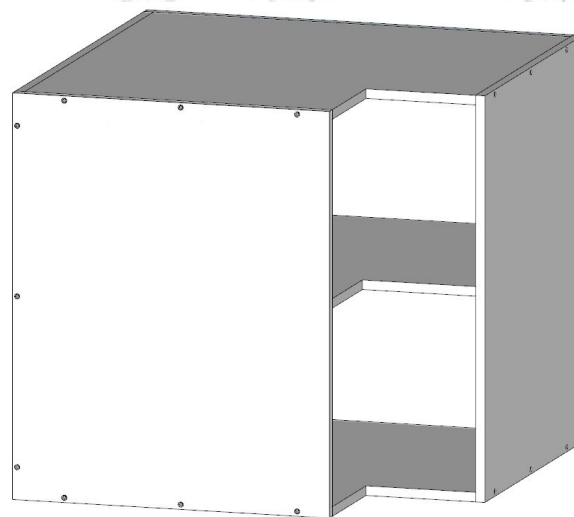


# ASSEMBLY INSTRUCTION

AMERICA'S CABINETS









This assembly manual is suitable for the following cabinets (ITEM CODE):

- WM-BLS33-BOX
- WM-BLS36-BOX

**REF: BASE LAZY SUSAN BOX - 1 SHELF**

*\* IMPORTANT: Before proceeding to assemble this unit, read the assembly instruction and inspect carefully the parts and hardware thoroughly\**

## IMPORTANT RECOMMENDATIONS

- Do not hit or hammer the cabinet (just do it Where indicated). 
- Do not expose it to heat. 
- Protect furniture from water and moisture. This furniture must not be used outdoors. 
- Two or more people are required to assemble and/or move this unit. 
- Do not Paint the cabinet 
- Unpack and assemble this unit in an spacious area. Assemble the unit on top or the empty box to prevent scratches. 



RUBBER HAMMER

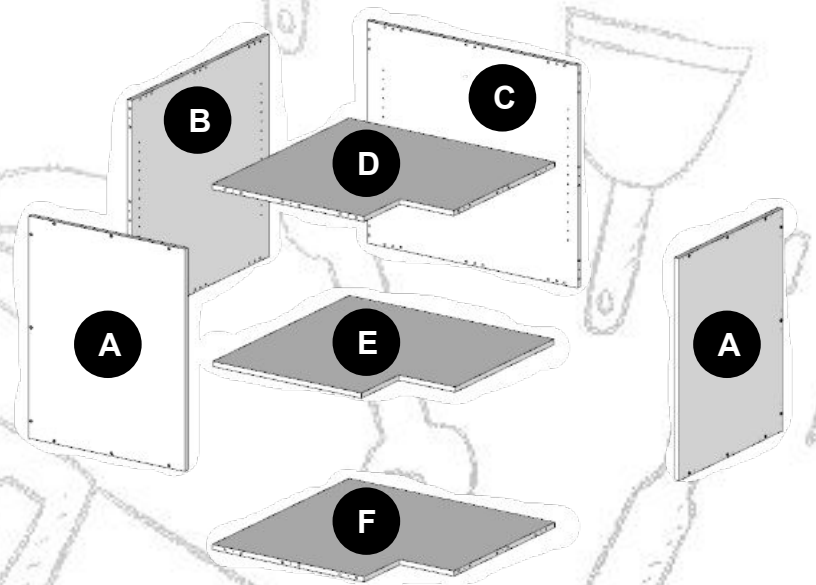


PHILLIPS SCREWDRIVER OR DRILL  
RUBBER HAMMER

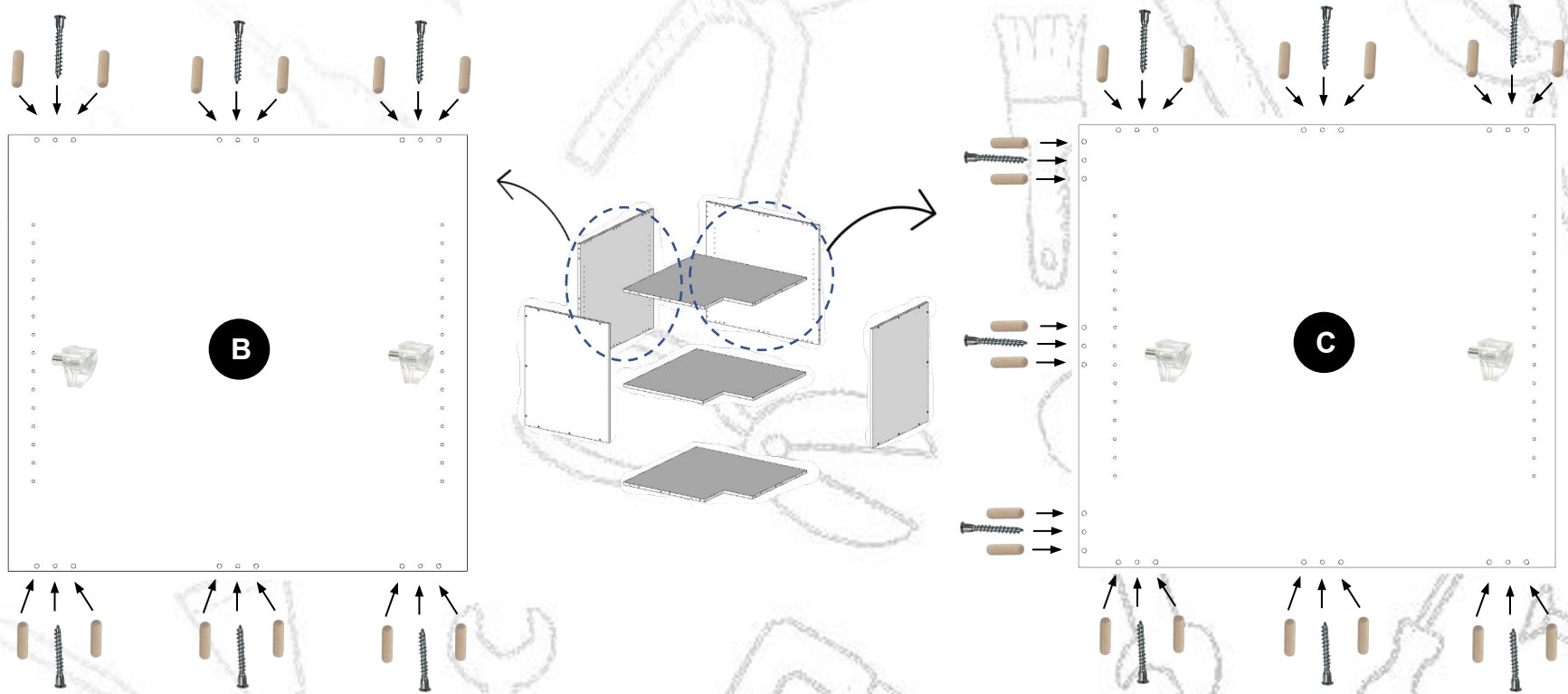
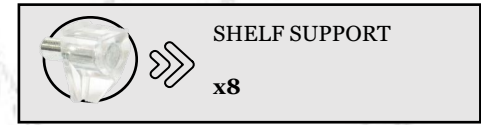
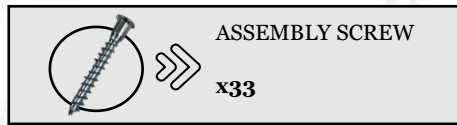
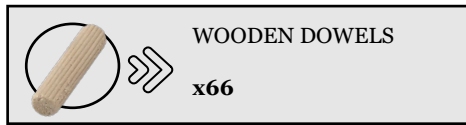
**TOOLS REQUIRED**

## ASSEMBLE PARTS

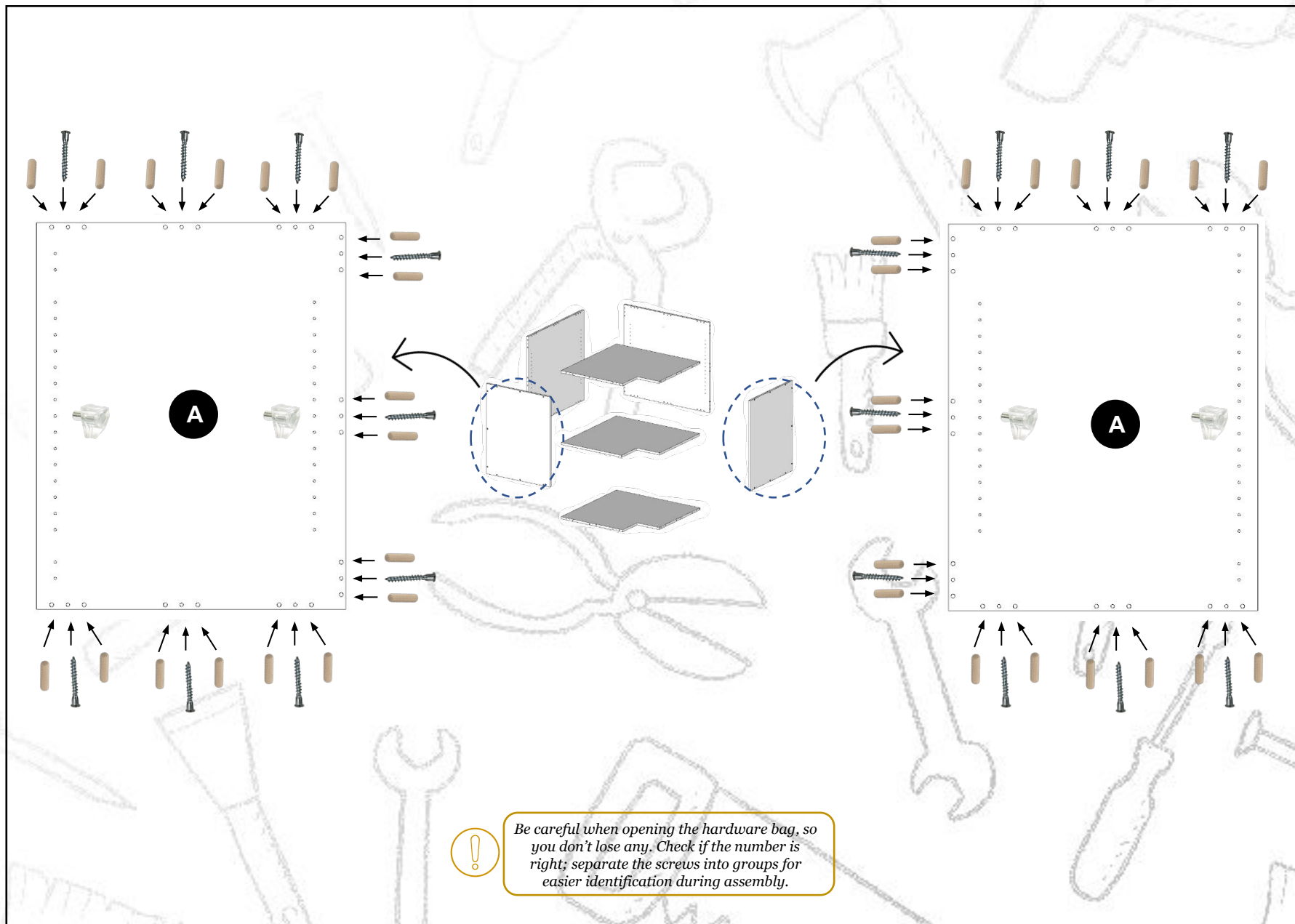
ITEM	DESCRIPTION	QTY
A	SIDES	2
B	LEFT SIDE	1
C	RIGHT SIDE	1
D	SUPERIOR	1
E	ADJUSTABLE SHELF	1
F	DOWN	1



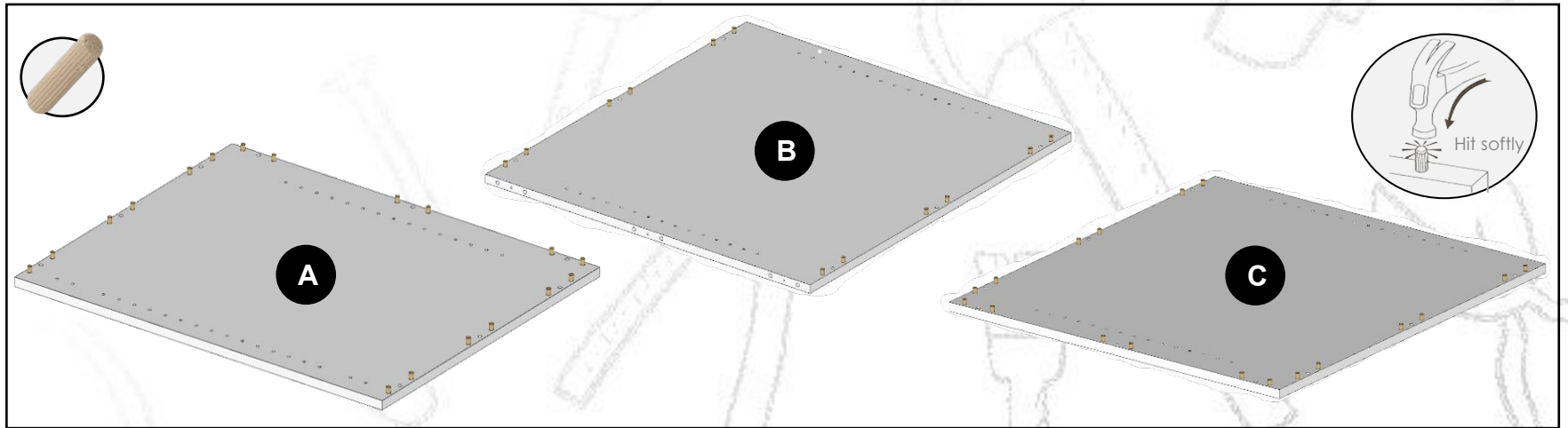
# HARDWARE IDENTIFICATION



*Be careful when opening the hardware bag, so you don't lose any. Check if the number is right; separate the screws into groups for easier identification during assembly.*



# FURNITURE ASSEMBLY

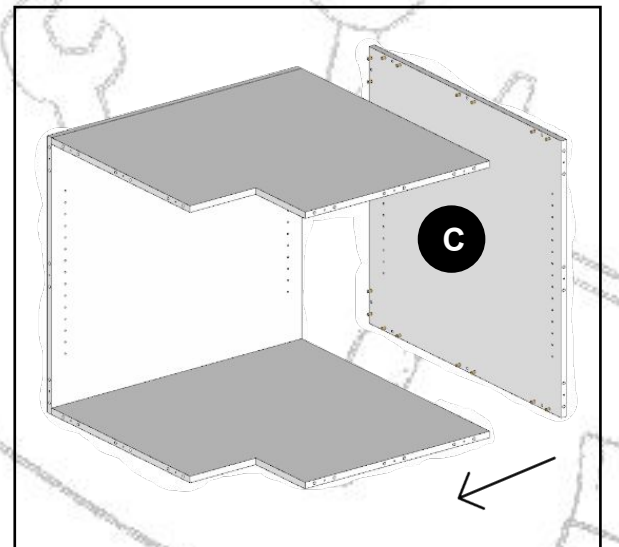
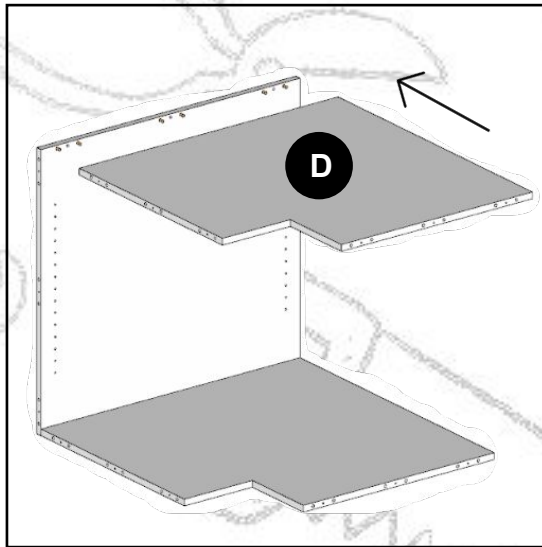
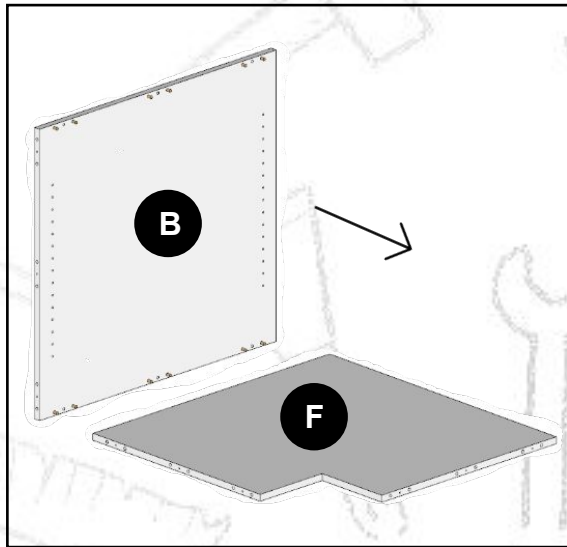


**1** STEP

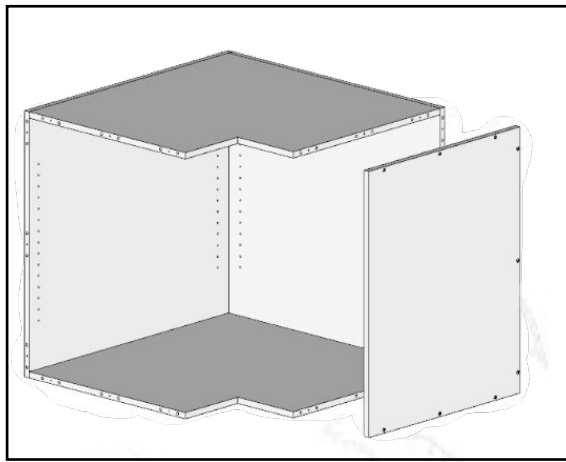
STEP **2**

STEP **3**

STEP **4**



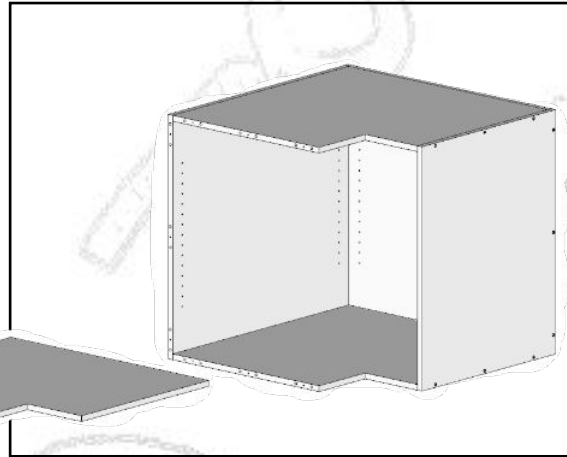
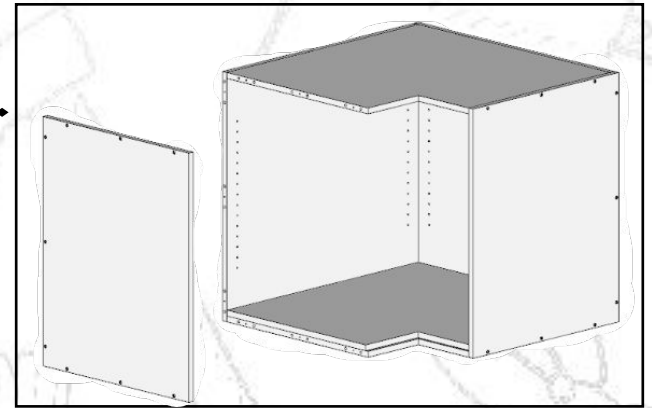




5 STEP

STEP 6

STEP 7



8 STEP

