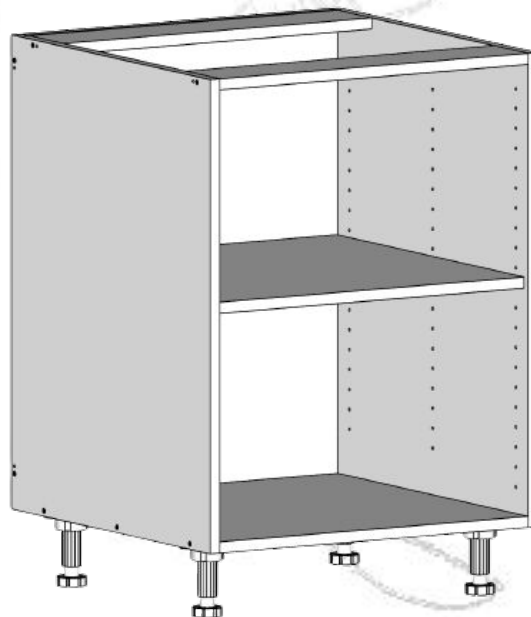


ASSEMBLY INSTRUCTION

AMERICA'S CABINETS



This assembly manual is suitable for the following cabinets (ITEM CODE):

- WM-B06-BOX
- WM-B09-BOX
- WM-B12-BOX
- WM-B15-BOX
- WM-B18-BOX
- WM-B21-BOX
- WM-B24-BOX
- WM-B27-BOX
- WM-B30-BOX
- WM-B33-BOX
- WM-B36-BOX

- WM-VB12-BOX
- WM-VB15-BOX
- WM-VB18-BOX
- WM-VB21-BOX
- WM-VB24-BOX
- WM-VB27-BOX
- WM-VB30-BOX

REF: BASE CABINET BOX 24" DEEP X 30" HEIGHT - 1 SHELF

REF: VANITY BASE BOX 21" DEEP X 30" HEIGHT - 1 SHELF

** IMPORTANT: Before proceeding to assemble this unit, read the assembly instruction and inspect carefully the parts and hardware thoroughly**

IMPORTANT RECOMMENDATIONS

- Do not hit or hammer the cabinet (just do it Where indicated).



- Protect furniture from water and moisture. This furniture must not be used outdoors.



- Do not Paint the cabinet



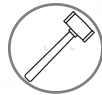
- Do not expose it to heat.



- Two or more people are required to assemble and/or move this unit.



- Unpack and assemble this unit in an spacious area. Assemble the unit on top or the empty box to prevent scratches.



RUBBER HAMMER

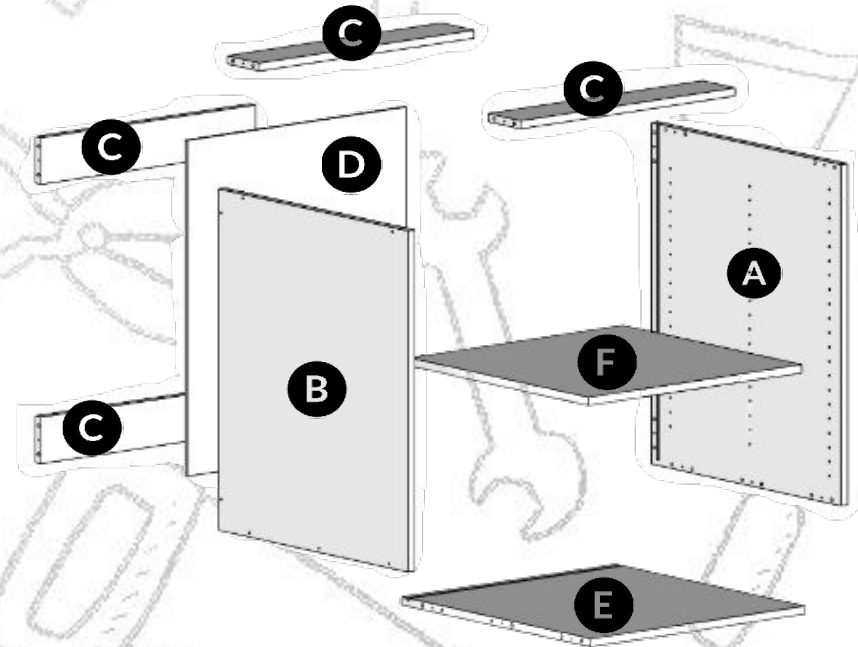


PHILLIPS SCREWDRIVER OR DRILL
RUBBER HAMMER

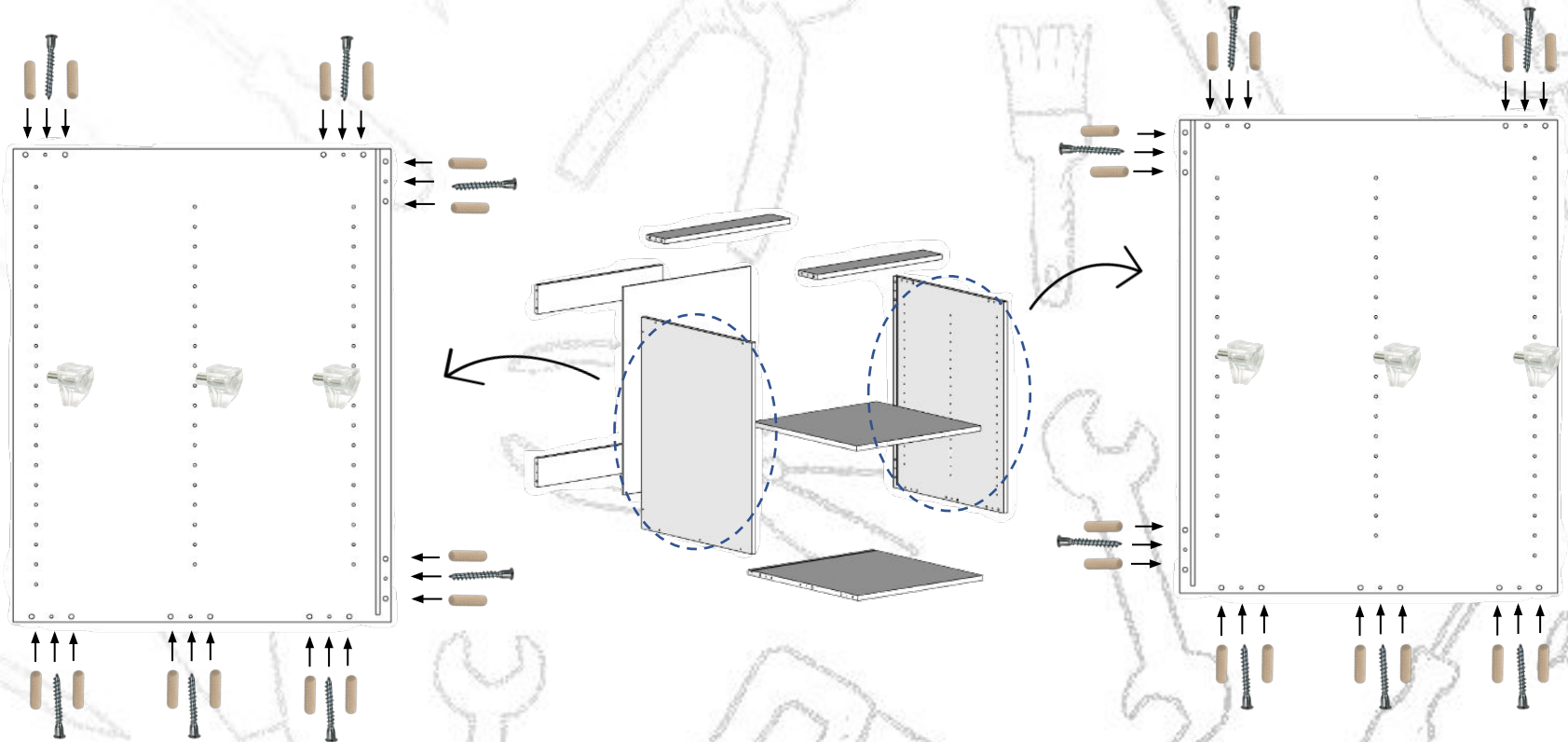
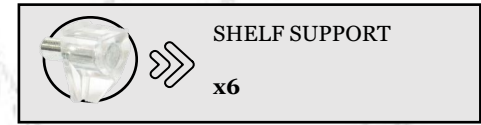
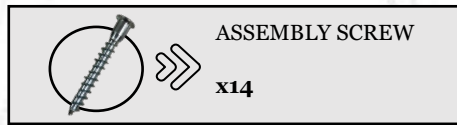
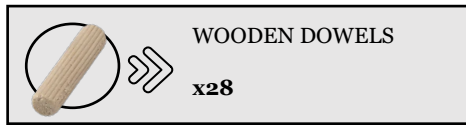
TOOLS REQUIRED

ASSEMBLE PARTS

ITEM	DESCRIPTION	QTY
A	RIGHT SIDE	1
B	LEFT SIDE	1
C	STRETCHERS/NAILER	4
D	BACK	1
E	BOTTOM	1
F	ADJUSTABLE SHELF	1

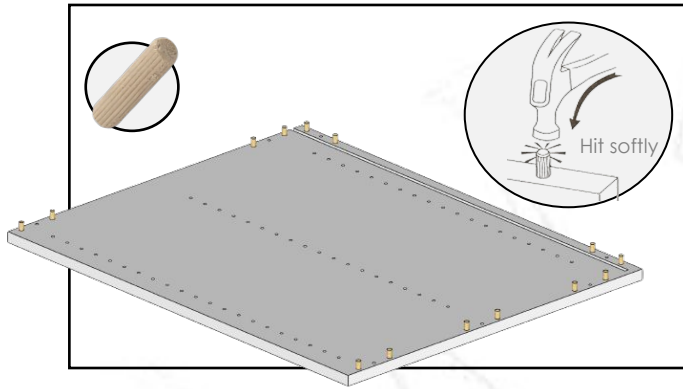


HARDWARE IDENTIFICATION



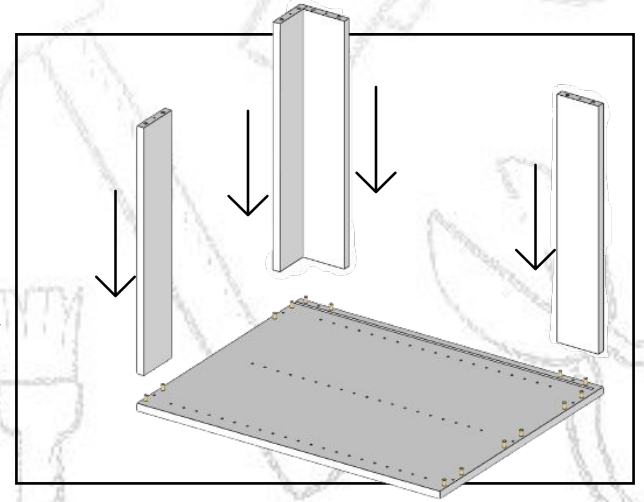
Be careful when opening the hardware bag, so you don't lose any. Check if the number is right; separate the screws into groups for easier identification during assembly.

FURNITURE ASSEMBLY



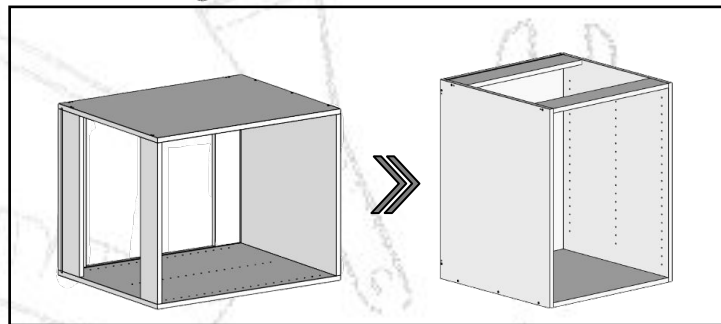
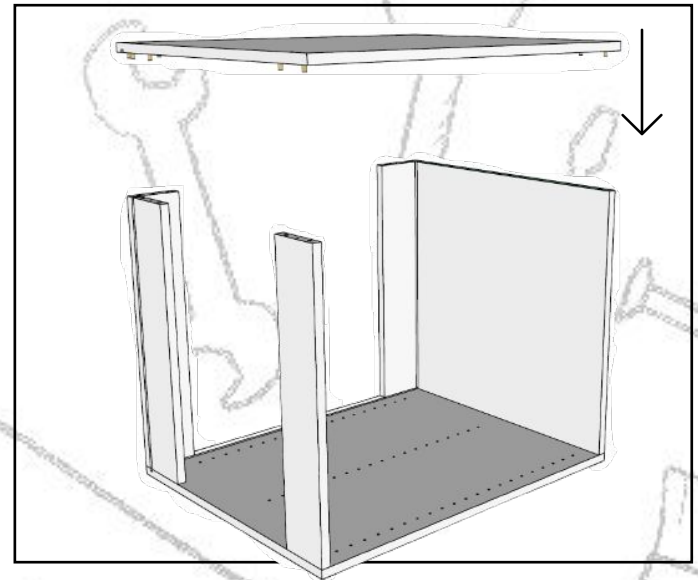
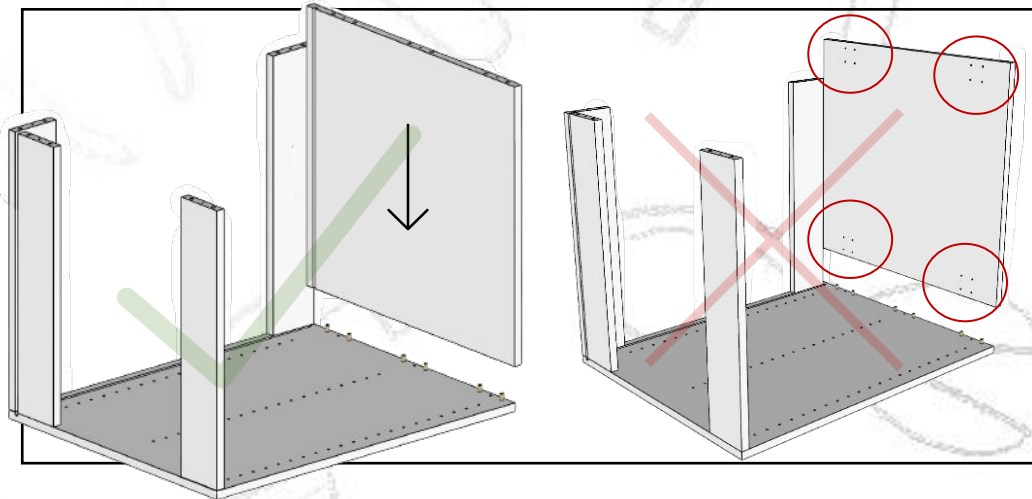
1 STEP

STEP **2**

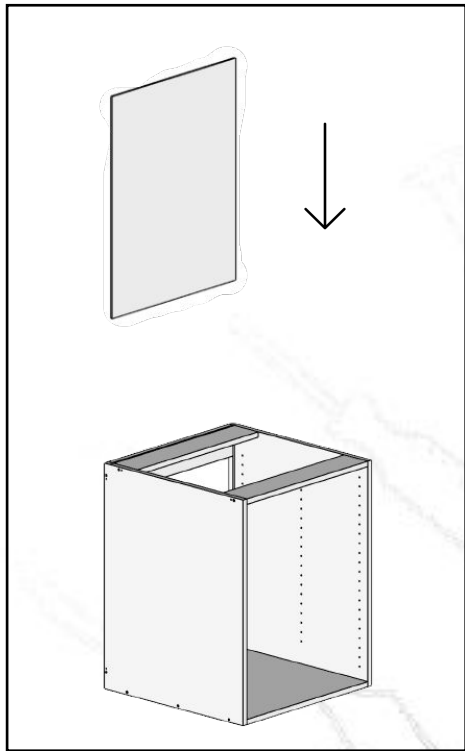


3 STEP

4 STEP

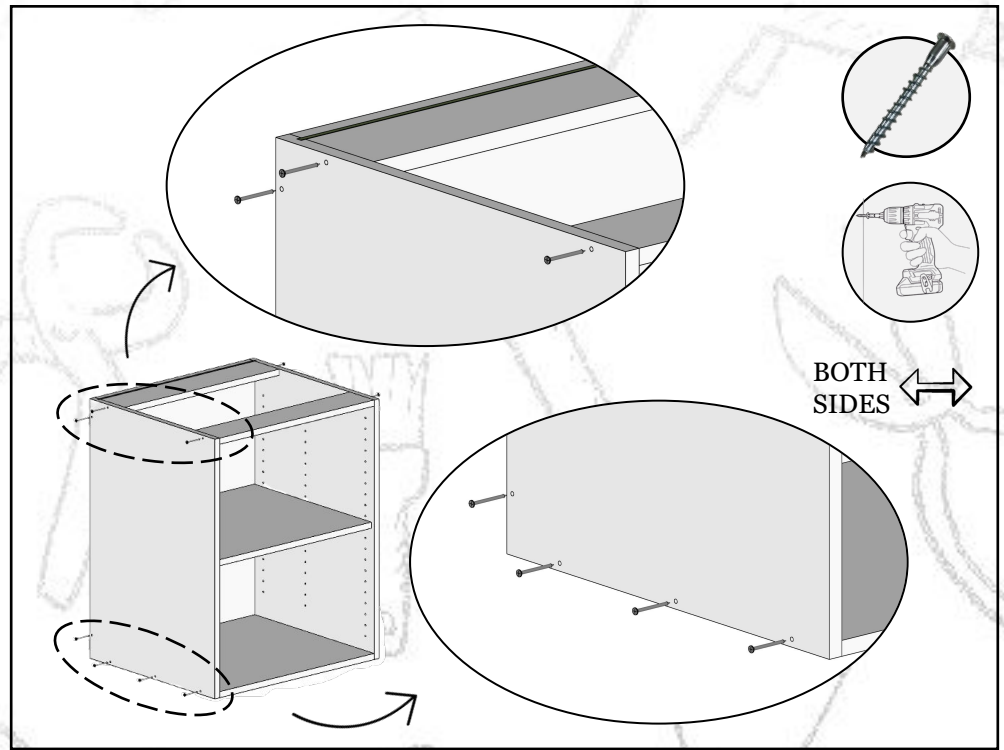


STEP **5**



6 STEP

STEP 7



8 STEP

